



# Illusion Split System

**Split System Air Conditioning (Concealed Type)  
1-5 Ton - 50 Hz - R 22**



## **Indoor Units**

MCD512DB  
MCD518DB  
MCD524DB  
MCD530DB  
MCD536DB  
MCD048DB  
MCD060DB

## **Outdoor Units**

2TTB0512AA000D  
2TTB0518AA000D  
2TTB0524AA000C  
2TTB0530AA000C  
2TTB0536AA000C  
2TTA0040AD000B  
2TTA0050AD000B  
2TTA0060AD000B

---

**SS-PRC039-EN**



# Table of Contents

---

Features and Benefits .....	3-5
System Performance.....	6
Selection Procedures.....	7-9
General Data ..	
MCD.....	10-11
2TTB.....	12-13
2TTA .....	13
Performance Data ..	
MCD Fan Performance.....	14-19
Cooling Performance.....	20-27
2TTB/MCD.....	20-24
2TTA/MCD.....	25-27
Typical Wiring Diagrams.....	28-35
Dimensional Data.....	37-40

## General Features and Benefits

---

### 2TTB0 Split System Features (Outdoor units)

2TTB0 split systems represent a product that is not only an engineer's dream but also a customer's dream. The design team's mission and accomplishment is enhanced performance and efficiency, improved reliability and durability, and improved installability and serviceability.

Trane's experienced design team applied Six Sigma Principles, the latest computer technology and customer research to develop the next generation of leadership products.

Combine the Trane reputation for reliability and durability with the above mentioned mission and accomplishment and you will continue to have systems that prove "It's Hard to Stop a Trane®. "

#### Benefits

- **Climatuff®** compressor
- All aluminum **Spine Fin™** coil
- **DuraTuff™** base, fast complete drain, weather proof
- New cabinet with anthracite base and polystate gray cabinet
- **Quick-Sess™** cabinet, service access and refrigerant connections with full coil protection
- Corrosion resistant finish and fasteners
- High/low pressure and temperature protection
- Liquid line filter-drier
- Easy single side service
- Multi-use liquid and suction line service valves
- Easy top and fan removal
- Full length control cover
- **Sure Fast™** seams louver panel removal
- HCFC-22 refrigerant
- Extended warranties available
- S.E.E.T. design testing
- 100% line run test



### 2TTA0 Split System Features (Outdoor units)

2TTA0 split systems represent a product that is not only an engineer's dream but also a customer's dream. The design team's mission and accomplishment is enhanced performance and efficiency, improved reliability and durability, and improved installability and serviceability.

Trane's experienced design team applied Six Sigma Principles, the latest computer technology and customer research to develop the next generation of leadership products.

Couple the Trane reputation for reliability and durability with the above mentioned mission and accomplishments and you will continue to have systems that prove "It's Hard to Stop a Trane®. "

#### Benefits

- **Climatuff®** compressor
- All aluminum **Spine Fin™** coil
- **DuraTuff™** base, fast complete drain, weather proof
- **WeatherGuard™** fasteners
- **Quick-Sess™** cabinet, service access and refrigerant connections with full coil protection
- Corrosion resistant finish and fasteners
- High/low pressure & temperature protection
- Liquid line filter-drier
- Easy single side service
- Multi-use liquid and suction line service valves
- Compressor sump heat
- Easy top & fan removal
- HCFC-22 refrigerant
- S.E.E.T. design testing
- 100% line run test

## Features and Benefits

### MCD Concealed Unit



#### Features:

- Compact Design
- Triple Layer Drain Pan\*
- 4 Speed Fan Motor
- Optional Electric Heater

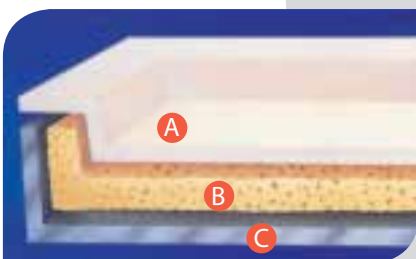
#### Benefits:

- Flexibility in installation locations.
- Protect against condensate leaks.
- Flexibility in airflow.
- Whisper quiet operation.
- Ease of installation

### MCD Air Handler unit

- Complete family of concealed models- available in capacities ranging from 12,000 to 60,000 Btu/h.
- Compact height- only 258 mm.  
for 12,000 to 36,000 Btu/h models- the MCD Series is very compact for easy installation into tight ceiling locations.
- Triple protection drain pan of three layers provide maximum insulation and water integrity. First, a single piece of galvanized steel; next, a single piece of polystyrene; and finally, a vacuum formed plastic liner.
- Full capacity- the MCD Series has been tested and proved to provide full capacity and energy savings.

- A** Plastic
- B** Polystyrene foam
- C** Galvanized sheet



#### Triple protection drain pan

- Effectively prevents ceiling damage from drain pan leaks
- Decreases chance of mold
- Enhances indoor air quality

Illusion drain pans consist of three layers: a single piece of galvanized sheet, a single piece of polystyrene foam, and a vacuum formed plastic liner. It also features a high-quality, flexible drain hose which is suitable for PVC size.

# Feature and Benefits / Optional

**Fan speed:**  
Four fan levels provide continuous, cool airflow

**Temperature setting:**  
Set temperature range is from 15 °C to 30 °C.

**Powercool (turbo) mode:**  
Cool off quicker (Turbo mode for LCD wired control)

**Sleep mode:**  
Stay comfortable with automatic room temperature adjustment during the night

**Econo mode:**  
Save energy while keeping cool

**Dry mode:**  
provides effective humidity reduction with high efficient cooling capacity.

**24 hours programmable timer:**  
Select on/off times to schedule even more energy and cost savings



Touch wired control  
(ACYSTAT160AA cooling only)  
(ACYSTAT260AA cool and heat)



LCD wired control  
(ACYSTAT110AA cooling only)  
(ACYSTAT210AA cool and heat)



LCD wireless remote control



Receiver  
(ACYSTAT120AA cooling only)  
(ACYSTAT220AA cool and heat)



LCD wireless remote control



Receiver

(ACYSTAT170AA Cooling Only)  
(ACYSTAT270AA Cool & Heat)

Digital touch-control series

- Choose from wired or wireless control
- Touch-control switch
- Intelligent features add more convenience



# System Performance

---

Nominal Rating			
Outdoor Unit	Indoor Unit	MBH	CFM
2TTB0512AA	MCD512DBP	13.2	300
2TTB0512AA	MCD518DBP	15.3	450
2TTB0518AA	MCD518DBP	18.2	450
2TTB0518AA	MCD524DBP	19.0	600
2TTB0524AA	MCD524DBP	24.0	600
2TTB0524AA	MCD530DBP	24.8	750
2TTB0530AA	MCD524DBP	26.6	600
2TTB0530AA	MCD530DBP	27.9	750
2TTB0536AA	MCD530DBP	32.8	750
2TTB0536AA	MCD536DBP	34.0	900
2TTA0040AD	MCD536DBP	36.6	900
2TTA0040AD	MCD048DBP	39.2	1600
2TTA0050AD	MCD048DBP	49.1	1600
2TTA0050AD	MCD060DBP	53.0	2000
2TTA0060AD	MCD060DBP	60.9	2000

# Model Nomenclature

M   C   D   5   1   2   D   B   0   0   B   A  
 1   2   3   4   5   6   7   8   9   10   11   12

### Digit No. 1 - Product Type

M = MiniSplit

### Digit No. 2

C = Cooling Only  
 W = Heat Pump

### Digit No. 3 - Configuration

D = Concealed

### Digit No. 4 - Refrigerant

Connection  
 5 = Flare  
 0 = Sweat (Brazed)

### Digit No. 5 and No. 6 - Nominal

Capacity Btu/h x 1000  
 (Note: Exact system capacities/  
 performance when matched with  
 selected indoor unit are specified in  
 Product Catalogs.)

### Digit No. 7 - Major Development

Sequence

### Digit No. 8 - Electric Power Supply

Characteristics  
 B = 240V/1ph/50Hz or  
 220-240V/1ph/50Hz  
 D = 380-415V/3ph/50Hz

### Digit No. 9 - Electric Heat / Plenum

0 = no electric heater / no plenum  
 5 = High efficiency models  
 C = 1.0 kW / no plenum  
 D = 1.5 kW / no plenum  
 E = 2.0 kW / no plenum  
 F = 2.5 kW / no plenum  
 G = 3.0 kW / no plenum  
 H = 4.0 kW / no plenum  
 I = 4.5 kW / no plenum  
 P = no electric heater/with return  
 plenum  
 Q = 1.0 kW / with return plenum  
 R = 1.5 kW / with return plenum  
 S = 2.0 kW / with return plenum  
 T = 2.5 kW / with return plenum  
 U = 3.0 kW / with return plenum  
 V = 4.0 kW / with return plenum  
 W = 4.5 kW / with return plenum  
 X = 5.0 kW / with return plenum  
 Y = 6.0 kW / with return plenum  
 Z = 7.0 kW / with return plenum

### Digit No. 10 - Thermostat Option

0 = None

### Digit No. 11 - Minor Design

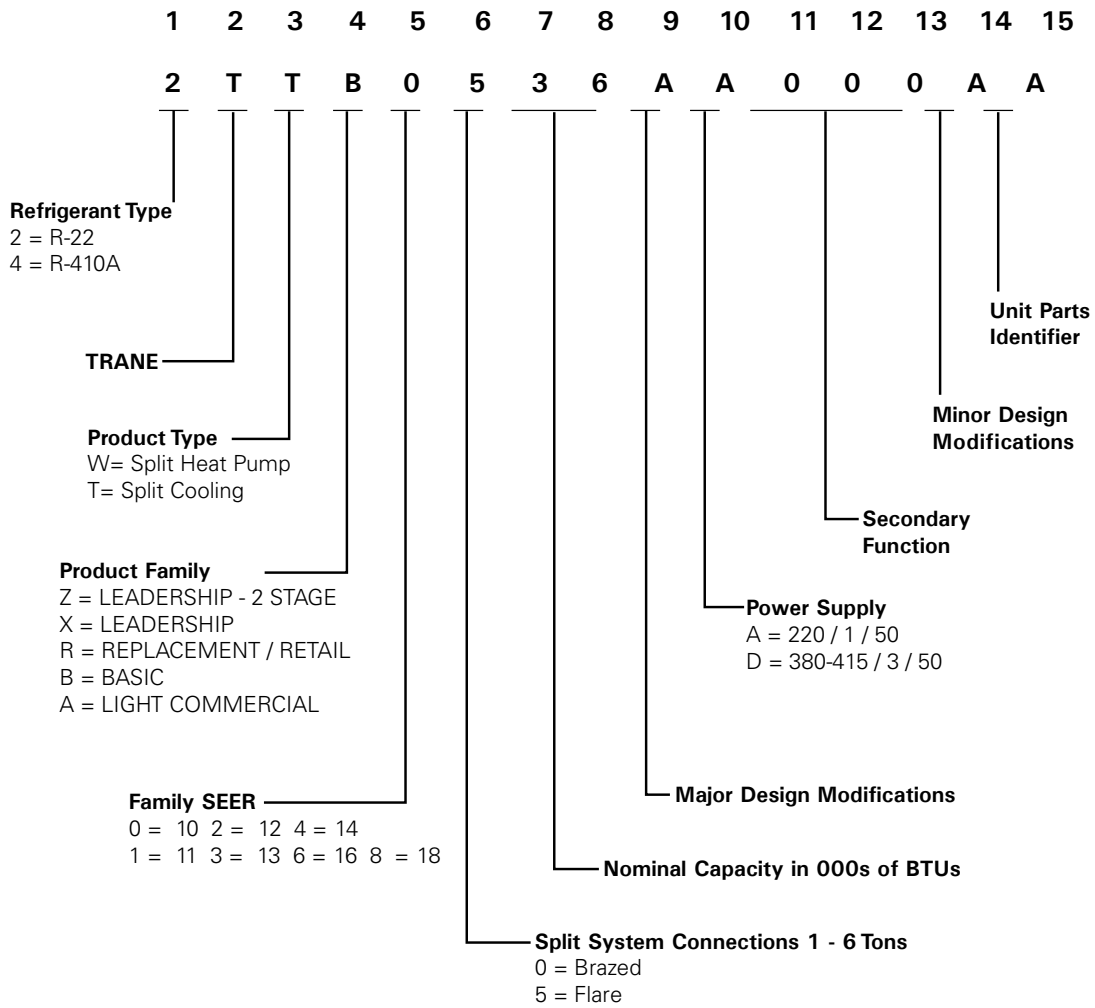
Sequence/Series - Design Change  
 Alphabetic Letter, "A" through "Z"

### Digit No. 12 - Service Digit



# Model Nomenclature

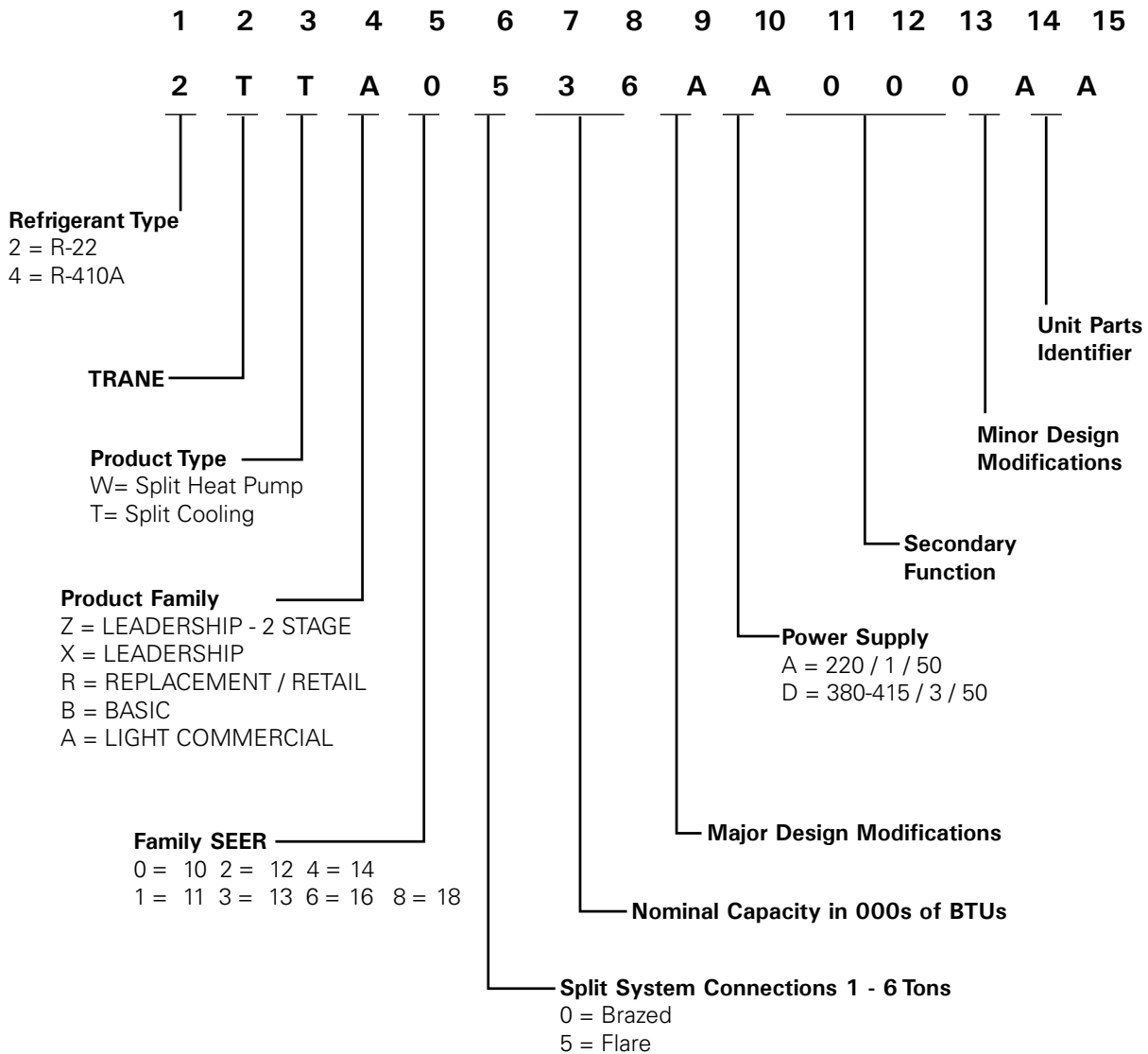
## Outdoor Units (2TTB0)





# Model Nomenclature

## Outdoor Units (2TTA0)





# General Data

## General Data MCD 50Hz

UNIT MODELS		MCD512DBP <sup>1</sup>	MCD518DBP <sup>1</sup>	MCD524DBP <sup>1</sup>	MCD530DBP <sup>1</sup>	MCD536DBP <sup>1</sup>
		MCD512DBS <sup>2</sup>	MCD518DBT <sup>2</sup>	MCD524DBU <sup>2</sup>	MCD530DBV <sup>2</sup>	MCD536DBW <sup>2</sup>
<b>POWER CONNECTION</b>	V/ph/Hz	220-240/1/50	220-240/1/50	220-240/1/50	220-240/1/50	220-240/1/50
<b>MCA<sup>3</sup></b>	A	12.0	15.3	18.8	25.2	28.3
<b>SYSTEM DATA</b>						
Refrigerant Type		R-22	R-22	R-22	R-22	R-22
Refrigerant Connection Type		Flare	Flare	Flare	Flare	Flare
Suction Line OD	in (mm)	1/2 (12.70)	1/2 (12.70)	5/8 (15.88)	5/8 (15.88)	3/4 (19.05)
Liquid line OD	in (mm)	1/4 (6.35)	1/4 (6.35)	3/8 (9.53)	3/8 (9.53)	3/8 (9.53)
<b>CASING</b>						
Material / Color				Galvanized Steel/Unpainted		
Type of Insulation / Thickness	in (mm)			Fiberglass ( 12.70 )		
Insulation Density	Kg./m <sup>3</sup>	40	40	40	40	40
<b>COIL</b>						
Face Area	sq ft (m <sup>2</sup> )	1.67 (0.16)	1.67 (0.16)	1.67 (0.16)	2.00 (0.19)	2.33 (0.22)
Tube Size OD	in (mm)	3/8 (9.53)	3/8 (9.53)	3/8 (9.53)	3/8 (9.53)	3/8 (9.53)
Tube Type		Plain	Inn. Grv.	Inn. Grv.	Inn. Grv.	Inn. Grv.
Rows		2	2	3	3	3
Fin Type		Precoated Slit	Precoated Slit	Precoated Slit	Precoated Slit	Precoated Slit
Fins per inch		19	20	15	15	14
Refrigerant Flow Control		Capillary Tube	Capillary Tube	Capillary Tube	Capillary Tube	Capillary Tube
Drain Connection Size	in (mm)	1/2 (12.70)	1/2 (12.70)	1/2 (12.70)	1/2 (12.70)	1/2 (12.70)
<b>ELECTRIC HEATER DATA<sup>2</sup></b>						
Heater Rating	kW	2	2.5	3	4 (2 elements)	4.5 (2 elements)
Heater RLA		9.1	11.4	13.6	18.2	20.5
<b>FAN</b>						
Fan Type		Centrifugal/GI	Centrifugal/GI	Centrifugal/GI	Centrifugal/GI	Centrifugal/GI
No. used		2	2	2	2	2
Diameter	in (mm)	6 (144.0)	6 (144.0)	7 (164.0)	7 (164.0)	7 (164.0)
Width	in (mm)	7 (188.0)	7 (188.0)	8 (201.0)	8 (201.0)	8 (201.0)
Drive Type		Direct	Direct	Direct	Direct	Direct
<b>MOTOR</b>						
Motor Type		Permanent Split Capacitor				
No. of Motor		1	1	1	1	1
Motor Power	hp (kW)	1/20 (0.041)	1/8 (0.087)	1/4 (0.193)	1/3 (0.278)	1/2 (0.261)
No. of Speed		4	4	4	4	4
Motor Speed	rpm	1200 / 1100 / 1000 / 900	1400 / 1300 / 1200 / 1100	1400 / 1200 / 1100 / 1000	1400 / 1350 / 1250 / 1100	1400 / 1350 / 1250 / 1150
V/ph/Hz		220/1/50	220/1/50	220/1/50	220/1/50	220/1/50
RLA/LRA		0.48 / 0.80	0.82 / 1.86	1.37 / 3.15	1.98 / 5.28	2.20 / 5.77
<b>FILTER<sup>1,2</sup></b>						
Type		Aluminum Filter				
No. used		1	1	1	1	1
Size (WxLxD)	in <sup>3</sup>	10.6 x 30.3 x 1.0	10.6 x 30.3 x 1.0	10.6 x 30.3 x 1.0	10.6 x 36.3 x 1.0	10.6 x 42.4 x 1.0
	(mm) <sup>3</sup>	(270 x 770 x 25)	(270 x 770 x 25)	(270 x 770 x 25)	(270 x 922 x 25)	(270 x 1,077 x 25)
Indoor Sound Data	dBA	41	48	46	53	55
<b>DIMENSION (HxWxD)</b>						
Crated (Shipping) <sup>1,2</sup>	in <sup>3</sup>	12.2 x 37.4 x 25.2	12.2 x 37.4 x 25.2	12.2 x 37.4 x 25.2	12.2 x 43.7 x 25.2	12.2 x 49.8 x 25.2
	(mm) <sup>3</sup>	(311 x 949 x 641)	(311 x 949 x 641)	(311 x 949 x 641)	(311 x 1,111 x 641)	(311 x 1,264 x 641)
Uncrated (Net) <sup>1,2</sup>	in <sup>3</sup>	11.8 x 37.2 x 24.6	11.8 x 37.2 x 24.6	11.8 x 37.2 x 24.6	11.8 x 43.2 x 24.6	11.8 x 49.3 x 24.6
	(mm) <sup>3</sup>	(300 x 946 x 625)	(300 x 946 x 625)	(300 x 946 x 625)	(300 x 1,098 x 625)	(300 x 1,251 x 625)
<b>WEIGHT</b>						
Crated (Shipping) <sup>1</sup>	lb (kg)	68.7 (31.3)	72.7 (33.1)	78.5 (35.0)	89.0 (39.8)	99.5 (44.4)
Crated (Shipping) <sup>2</sup>	lb (kg)	71.7 (32.6)	75.7 (34.5)	80.5 (36.0)	94.0 (42.1)	104.5 (46.7)
Uncrated (Net) <sup>1</sup>	lb (kg)	63.7 (29.0)	67.7 (30.8)	73.0 (32.5)	83.0 (37.0)	91.0 (40.8)
Uncrated (Net) <sup>2</sup>	lb (kg)	66.7 (30.4)	70.7 (32.2)	76.0 (34.0)	87.0 (39.0)	96.0 (43.0)

<sup>1</sup> Model with plenum has alphabetic letter P in the ninth digit

<sup>2</sup> Model with electric heater and plenum has alphabetic letter S T U V or W in the ninth digit

<sup>3</sup> MCA - Minimum Circuit Ampacity ; calculated as follow : 125% of motor R.L.Amps plus heater R.L.Amps .

<sup>3</sup> Test at free blow (0.0 in.wg ESP) / Dry Coil / Using ARI Standard 270-84 as a reference for test set up.

# General Data

## General Data MCD 50Hz

UNIT MODELS		MCD048DBP	MCD060DBP
		MCD048DBY <sup>1</sup>	MCD060DBZ <sup>1</sup>
POWER CONNECTION	V/ph/Hz	220-240/1/50	220-240/1/50
MCA <sup>2</sup>	A	38.2	45.1
<b>SYSTEM DATA</b>			
Refrigerant Type		R-22	R-22
Refrigerant Connection Type		Brazed	Brazed
Suction Line OD	in (mm)	1 1/8 (28.58)	1 1/8 (28.58)
Liquid line OD	in (mm)	3/8 (9.53)	3/8 (9.53)
<b>CASING</b>			
Material / Color		Galvanized Steel / Unpainted	
Type of Insulation / Thickness	in (mm)	Fiberglass (12.70)	
Insulation Density	Kg./ in <sup>2</sup>	40	
<b>COIL</b>			
Face Area	sq ft (m <sup>2</sup> )	3.50 (0.33)	4.08 (0.38)
Tube Size OD	in (mm)	3/8 (9.53)	3/8 (9.53)
Tube Type		Plain	Inn. Grv.
Rows		3	3
Fin Type		Precoated Slit	Precoated Slit
Fins per inch		14	15
Refrigerant Flow Control		Capillary Tube	Capillary Tube
Drain Connection Size	in (mm)	1/2 (12.70)	1/2 (12.70)
<b>ELECTRIC HEATER DATA<sup>1</sup></b>			
Heater Rating	kW	6 (2 elements)	7 (2 elements)
Heater RLA		27.2	31.8
<b>FAN</b>			
Fan Type		Centrifugal	Centrifugal
No. used		2	2
Diameter	in (mm)	8 (203.2)	8 (203.2)
Width	in (mm)	9 (228.6)	10(254.0)
Drive Type		Direct	Direct
<b>MOTOR</b>			
Motor Type		Permanent split capacitor	
No. of Motor		1	1
Motor Power	hp (kW)	1/2 (0.394)	3/4 (0.453)
No. of Speed		4	4
Motor Speed	rpm	1200 / 1100 / 1000 / 850	1250 / 1100 / 970 / 850
V/ph/Hz		220-240/1/50	220-240/1/50
RLA/LRA		3.33 / 5.08	4.30 / 6.98
<b>FILTER</b>			
Type		Aluminum Filter	
No. used		1	1
Size (WxLxD)	in <sup>3</sup> (mm) <sup>3</sup>	13.7 x 35.4 x 1.0 (350 x 901 x 25)	13.7 x 41.5 x 1.0 (350 x 1,054 x 25)
<b>DIMENSION (HxWxD)</b>			
Crated (Shipping)	in <sup>3</sup> (mm) <sup>3</sup>	19.3 x 46.0 x 30.8 (490 x 1,168 x 782)	19.3 x 51.9 x 30.8 (490 x 1,317 x 782)
Uncrated (Net)	in <sup>3</sup> (mm) <sup>3</sup>	16.0 x 43.2 x 29.8 (408 x 1,098 x 759)	16.0 x 49.2 x 29.8 (408 x 1,251 x 759)
<b>WEIGHT</b>			
Crated (Shipping)	lb (kg)	116.6 (53.0)	132.0 (60.0)
Crated (Shipping) <sup>1</sup>	lb (kg)	125.4 (57.0)	143.0 (65.0)
Uncrated (Net)	lb (kg)	106.7 (48.5)	121.0 (55.0)
Uncrated (Net) <sup>1</sup>	lb (kg)	115.5 (52.5)	132.0 (60.0)

<sup>1</sup> Model with electric heater has alphabetic letter Y or Z in the ninth digit.

<sup>2</sup> MCA - Minimum Circuit Ampacity ; calculated as follow : 125 % of motor R.L.Amps plus heater R.L.Amps.



# General Data

## Outdoor Units

Model	2TTB0512AA	2TTB0518AA	2TTB0524AA	2TTB0530AA
<b>Power Conn. - Volts/Ph/Hz</b>	200/230/1/50	200/230/1/50	200/230/1/50	200/230/1/50
Fuse Size - max. amps				
Min. Brch. Cir. Ampacity	10.2	13	16	17
Br. Cir. Max. } (Amps)	15	20	25	25
Prot. Rtg. } Min. (Amps)	13	15	20	20
<b>Compressor - Type</b>	CLIMATUFF®	CLIMATUFF®	CLIMATUFF®	CLIMATUFF®
No. Used - No. Speeds	1 - 1	1 - 1	1 - 1	1 - 1
Volts/Ph/Hz	200/230/1/50	200/230/1/50	200/230/1/50	200/230/1/50
R.L. Amps <sup>5</sup> - L.R. Amps	9.8 - 60	9.8 - 60	12.2 - 74.8	12.9 - 77.9
<b>Outdoor Fan - Type</b>	PROPELLER	PROPELLER	PROPELLER	PROPELLER
No. Used	1	1	1	1
Diameter in. (mm)	14 (356)	14(356)	19 (483)	19 (483)
Type Drive - No. Speeds	DIRECT - 1	DIRECT - 1	DIRECT - 1	DIRECT - 1
CFM @ 0.0 in. w.g. <sup>3</sup>	1200	1225	1825	1825
CMH @ 0.0 mm. w.g. <sup>3</sup>	2040	2080	3103	3103
No. Motors - HP	1 - 1/6	1 - 1/8	1 - 1/8	1 - 1/8
Motor Speed (RPM)	1650	1075	1075	1075
Volts/Ph/Hz	200/230/1/50	200/230/1/50	200/230/1/50	200/230/1/50
F.L. Amps	0.9	0.9	0.9	0.9
<b>Outdoor Coil - Type</b>	SPINE FIN™	SPINE FIN™	SPINE FIN™	SPINE FIN™
No. Rows	1-24	1-24	1	1
Fins/in. (mm)	24 (0.945)	24 (0.945)	24 (0.945)	24 (0.945)
Face Area sq ft (sq m)	7.27 (0.675)	7.27(0.675)	9.72 (0.90)	9.72 (0.90)
Tube Size in. (mm)	3/8 (9.53)	3/8 (9.53)	3/8 (9.53)	3/8 (9.53)
<b>Refrigerant</b>				
R-22 (O.D. Unit) <sup>4</sup> - lbs. (kg)	3-LBS., 2-OZ.	3-LBS., 14-OZ. (2.16)	4-LBS., 0-OZ. (1.82)	4-LBS., 12-OZ. (2.16)
Factory Supplied	YES	YES	YES	YES
Line Size - OD Gas <sup>5</sup> in. (mm)	5/8 (15.9)	3/4 (19.1)	3/4 (19.1)	7/8 (22.2)
Line Size - OD Liq. <sup>5</sup> in. (mm)	1/4(6.35)	5/16(7.94)	5/16 (7.94)	3/8 (9.53)
<b>FCCV</b>				
Restrictor Orifice Size in.(mm)	.045	.051	.059	.065
<b>Dimensions (H x W x D)</b>				
Crated - in.	30.1 x 19.7 x 21.4	30.1 x 19.7 x 21.4	30.1 x 26.7 x 30.2	30.1 x 26.7 x 30.2
- (mm)	(765 x 501x 544)	(765 x 501 x 544)	(765 x 678 x 767)	(765 x 678 x 767)
Uncrated				
<b>Weight lbs. (kg)</b>				
Shipping	133 (60.3)	141 (64)	175 (79.5)	178 (80.9)
Net	120 (54.4)	128 (58.1)	156 (70.9)	159 (72.3)

### NOTES:

- RATING CONDITIONS (COOLING): 80F (27C) D.B. 67F (20C) W.B. ENTERING AIR TO INDOOR COILOF APPLICABLE TYPE.  
95F (35C) D.B. ENTERING AIR TO OUTDOOR COIL.  
INDOOR COILAND UNITCONNECTED BY25 FT. (7.62 METERS) TUBING.
- RATING CONDITIONS (HEATING): 70F (21C) D.B. ENTERING AIR TO INDOOR COIL; 47F (8C) D.B.  
43F (6C) W.B. ENTERING AIR TO OUTDOOR COIL.  
NO SUPPLEMENTARY HEAT INCLUDED.
- STANDARD AIR - DRY COIL- OUTDOOR
- THIS VALUE APPROXIMATE. FOR MORE PRECISE VALUE SEE UNITNAMEPLATE AND SERVICE INSTRUCTIONS.
- MAX. OF 80 FT. (24.38 METERS) TOTALMEASURED LENGTH INCLUDING 60 FT. (18.29 METERS) MAX. LIFTBETWEEN O.D. AND I.D. SECTIONS.
- THIS VALUE SHOWN FOR COMPRESSOR RLAON THE UNITNAMEPLATE AND ON THIS SPECIFICATION SHEETIS USED TO COMPUTE MINIMUM BRANCH CIRCUIT AMPACITYAND MAX. FUSE SIZE. THE VALUE SHOWN IS THE BRANCH CIRCUITSELECTION CURRENT.



# General Data

Model	2TTB0536AA	2TTA0040AD	2TTA0050AD	2TTA0060AD
<b>Power Conn. - Volts/Ph/Hz</b>	200/230/1/50	380/415/3/50	380/415/3/50	380/415/3/50
Fuse Size - max. amps				
Min. Brch. Cir. Ampacity	26	9	12	14
Br. Cir. Max. } (Amps)	40	15	20	20
Prot. Rtg. } Min. (Amps)	40	15	20	20
<b>Compressor - Type</b>	CLIMATUFF®	CLIMATUFF®	CLIMATUFF®	CLIMATUFF®
No. Used - No. Speeds	1 - 1	1 - 1	1 - 1	1 - 1
Volts/Ph/Hz	200/230/1/50	380/415/3/50	380/415/3/50	380/415/3/50
R.L. Amps <sup>6</sup> - L.R. Amps	19.9 - 124	10 - 51	14 - 70	9 - 73
<b>Outdoor Fan - Type</b>	PROPELLER	PROPELLER	PROPELLER	PROPELLER
No. Used	1	1	1	1
Diameter in. (mm)	19 (483)	19 (483)	23 (584)	27.6 (701)
Type Drive - No. Speeds	DIRECT- 1	DIRECT - 1	DIRECT - 1	DIRECT - 1
CFM @ 0.0 in. w.g. <sup>3</sup>	2075	2075	3075	3525
CMH @ 0.0 mm. w.g. <sup>3</sup>	3528	3528	5228	5993
No. Motors - HP	1 - 1/4	1 - 1/4	1 - 1/4	1 - 1/6
Motor Speed (RPM)	1075	1075	825	825
Volts/Ph/Hz	200/230/1/50	380/415/3/50	380/415/3/50	380/415/3/50
F.L. Amps	1.3	0.7	1.00	0.7
<b>Outdoor Coil - Type</b>	SPINE FIN™	SPINE FIN™	SPINE FIN™	SPINE FIN™
No. Rows	1	1	1	1
Fins/in. (mm)	24 (0.945)	24 (0.945)	24 (0.945)	24 (0.945)
Face Area sq ft (sq m)	11.32 (1.05)	13.75 (1.28)	18.75 (1.74)	27.75 (2.59)
Tube Size in. (mm)	3/8 (9.53)	3/8 (9.53)	3/8 (9.53)	3/8 (9.53)
<b>Refrigerant</b>				
R-22 (O.D. Unit) <sup>4</sup> - lbs. (kg)	5-LBS., 15-OZ. (2.70)	6-LBS., 13-OZ. (3.10)	7-LBS., 7-OZ. (3.38)	10-LBS., 0-OZ. (4.55)
Factory Supplied	YES	YES	YES	YES
Line Size - OD Gas <sup>5</sup> in. (mm)	7/8 (22.2)	1-1/8 (28.54)	1-1/8 (28.54)	1-1/8 (28.54)
Line Size - OD Liq. <sup>5</sup> in. (mm)	3/8 (9.53)	3/8 (9.53)	3/8 (9.53)	3/8 (9.53)
<b>FCCV</b>				
Restrictor Orifice Size in.(mm)	.069	.075	.083	.089
<b>Dimensions (H x W x D)</b>			H X W X D	
Crated - in.	33.2 x 26.7 x 30.2	33.2 x 26.7 x 30.2	38 x 30.1 x 33.8	46.4 x 35.1 x 38.7
- (mm)	(843 x 678 x 767)	(843 x 678 x 767)	(965 x 765 x 859)	(1179 x 892 x 983)
Uncrated				
<b>Weight lbs. (kg)</b>				
Shipping	215 (97.7)	216 (98.2)	254 (115.5)	298 (135.5)
Net	195 (88.6)	196 (89.1)	227 (103.2)	263 (119.5)

**NOTES:**

- RATING CONDITIONS (COOLING): 80F (27C) D.B. 67F (20C) W.B. ENTERING AIR TO INDOOR COILOF APPLICABLE TYPE.  
95F (35C) D.B. ENTERING AIR TO OUTDOOR COIL.  
INDOOR COILAND UNITCONNECTED BY25 FT. (7.62 METERS) TUBING.
- RATING CONDITIONS (HEATING): 70F (21C) D.B. ENTERING AIR TO INDOOR COIL; 47F (8C) D.B.  
43F (6C) W.B. ENTERING AIR TO OUTDOOR COIL.  
NO SUPPLEMENTARY HEAT INCLUDED.
- STANDARD AIR - DRY COIL- OUTDOOR
- THIS VALUE APPROXIMATE. FOR MORE PRECISE VALUE SEE UNITNAMEPLATE AND SERVICE INSTRUCTIONS.
- MAX. OF 80 FT. (24.38 METERS) TOTALMEASURED LENGTH INCLUDING 60 FT. (18.29 METERS) MAX. LIFTBETWEEN O.D. AND I.D. SECTIONS.
- THIS VALUE SHOWN FOR COMPRESSOR RLAON THE UNITNAMEPLATE AND ON THIS SPECIFICATION SHEETIS USED TO COMPUTE MINIMUM BRANCH CIRCUIT AMPACITYAND MAX. FUSE SIZE. THE VALUE SHOWN IS THE BRANCH CIRCUITSELECTION CURRENT.



# Performance Data

Fan coil Airflow (CFM) versus. External Static Pressure (in.wg)

Table 5 - Indoor Fan performance

MCD512DB										
SPEED	AIR FLOW (CFM)									
	150	200	250	300	350	400	430	500	550	600
LOW	0.25	0.24	0.22	0.17	0.00					
MED	0.28	0.27	0.26	0.23	0.17	0.06	0.00			
HIGH	0.32	0.32	0.30	0.27	0.23	0.18	0.13	0.00		
EXTRAHIGH	0.38	0.38	0.36	0.34	0.31	0.27	0.24	0.16	0.08	0.00

MCD518DB										
SPEED	AIR FLOW (CFM)									
	250	310	370	430	490	550	610	670	730	760
LOW	0.26	0.25	0.22	0.14	0.00					
MED	0.30	0.29	0.27	0.22	0.14	0.00				
HIGH	0.35	0.33	0.31	0.28	0.23	0.18	0.09	0.00		
EXTRAHIGH	0.40	0.38	0.36	0.34	0.31	0.27	0.22	0.15	0.06	0.00

MCD524DB										
SPEED	AIR FLOW (CFM)									
	500	550	600	650	700	750	800	850	900	950
LOW	0.25	0.16	0.00							
MED	0.39	0.33	0.26	0.16	0.00					
HIGH	0.46	0.43	0.40	0.34	0.25	0.15	0.00			
EXTRAHIGH	0.54	0.52	0.49	0.45	0.41	0.35	0.28	0.21	0.13	0.00

MCD530DB										
SPEED	AIR FLOW (CFM)									
	630	660	720	780	840	900	960	1,020	1,080	1,110
LOW	0.28	0.24	0.15	0.00						
MEDIUM	0.34	0.32	0.28	0.22	0.11	0.00				
HIGHT	0.42	0.41	0.39	0.35	0.30	0.24	0.16	0.00		
EXTRAHIGH	0.49	0.48	0.46	0.43	0.39	0.35	0.28	0.20	0.07	0.00

MCD536DB										
SPEED	AIR FLOW (CFM)									
	705	760	815	870	925	980	1,000	1,090	1,140	1,220
LOW	0.26	0.25	0.18	0.00						
MEDIUM	0.38	0.37	0.35	0.31	0.23	0.06	0.00			
HIGHT	0.42	0.41	0.40	0.38	0.34	0.29	0.26	0.12	0.00	
EXTRAHIGH	0.50	0.49	0.47	0.44	0.41	0.36	0.34	0.24	0.17	0.00



# Performance Data

Fan coil Airflow (CFM) versus. External Static Pressure (in.wg)

Indoor Fan Performance Table

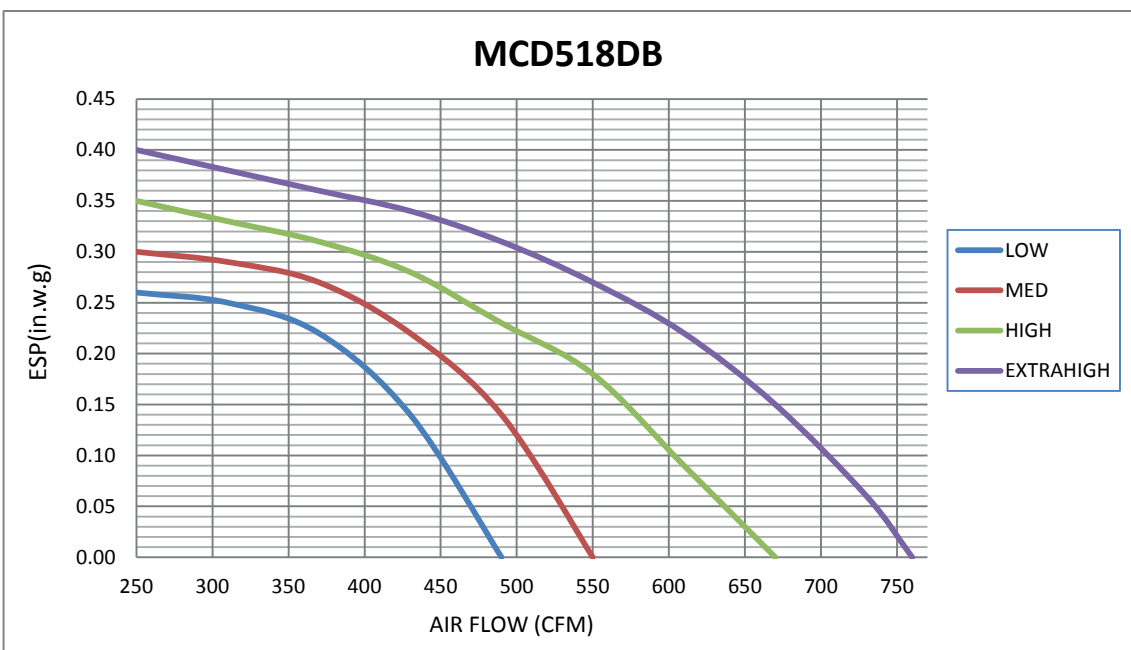
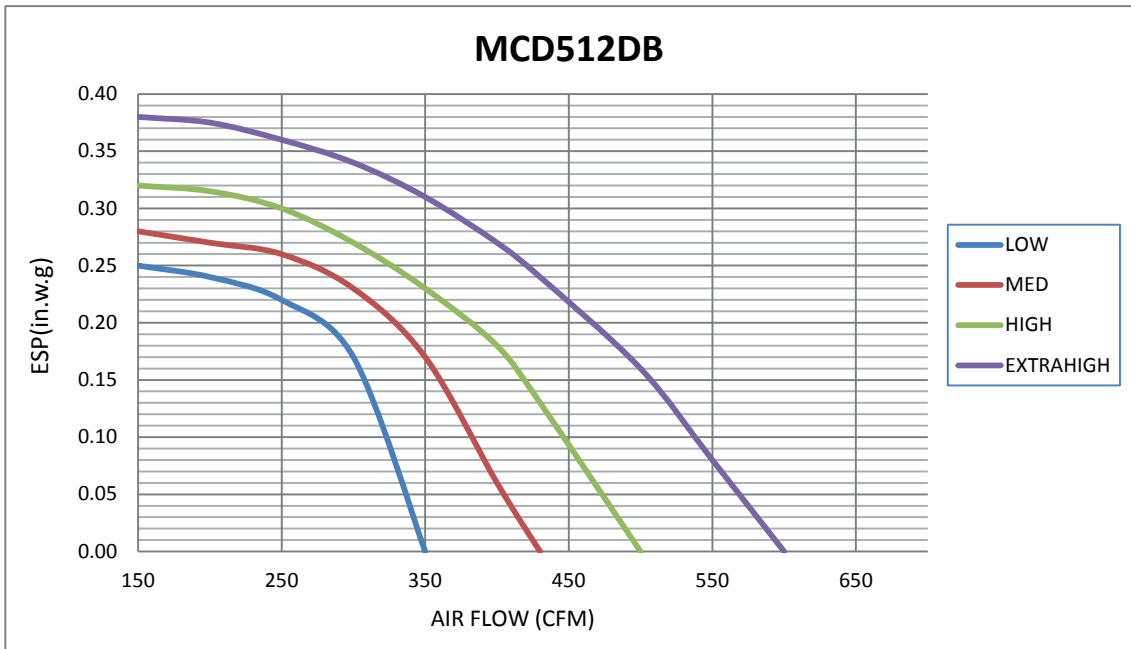
MCD048DB

SPEED	AIR FLOW (CFM)									
	1,300	1,350	1,390	1,480	1,570	1,660	1,750	1,840	1,930	2,020
LOW	0.26	0.26	0.25	0.19	0.00					
MED	0.30	0.30	0.29	0.27	0.24	0.17	0.00			
HIGH	0.37	0.37	0.36	0.35	0.32	0.26	0.16	0.00		
EXTRAHIGH	0.46	0.46	0.46	0.45	0.43	0.40	0.35	0.26	0.14	0.00

MCD060DB

SPEED	AIR FLOW (CFM)									
	1,400	1,450	1,500	1,600	1,700	1,800	1,880	2,000	2,050	2,200
LOW	0.32	0.30	0.26	0.15	0.00					
MED	0.40	0.39	0.38	0.34	0.25	0.11	0.00			
HIGH	0.44	0.44	0.43	0.40	0.37	0.32	0.24	0.08	0.00	
EXTRAHIGH	0.48	0.48	0.47	0.45	0.42	0.38	0.33	0.25	0.21	0.00

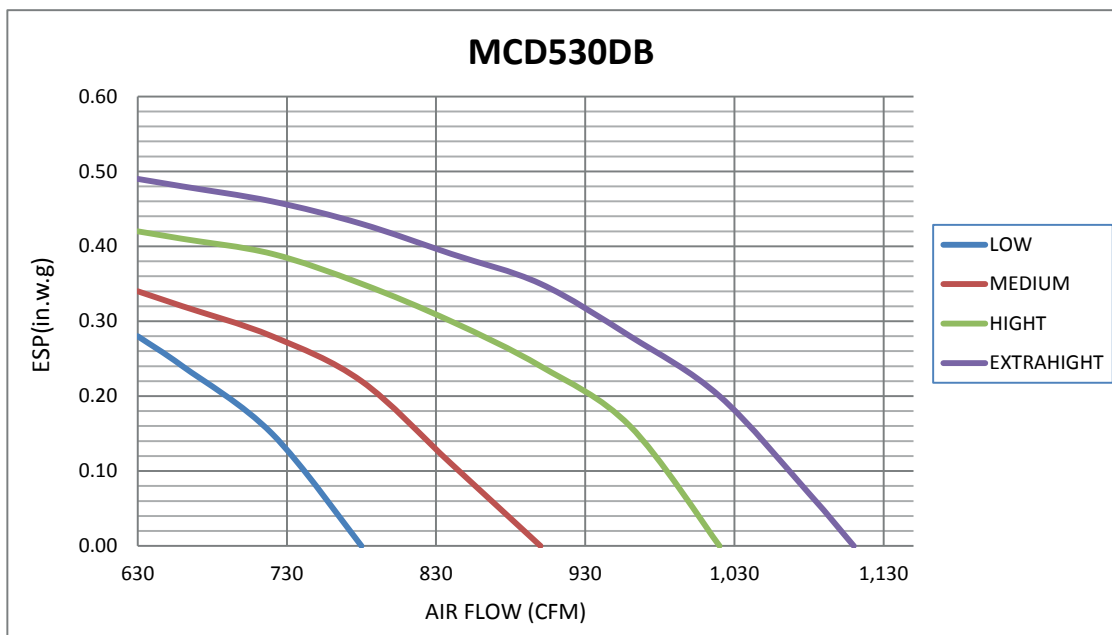
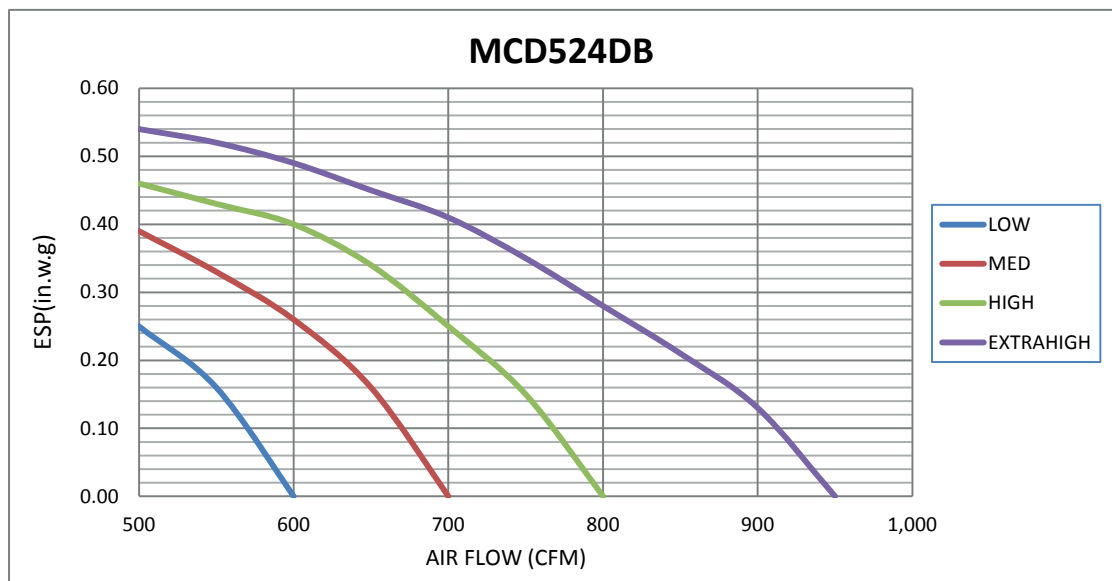
# Fan Performance Data





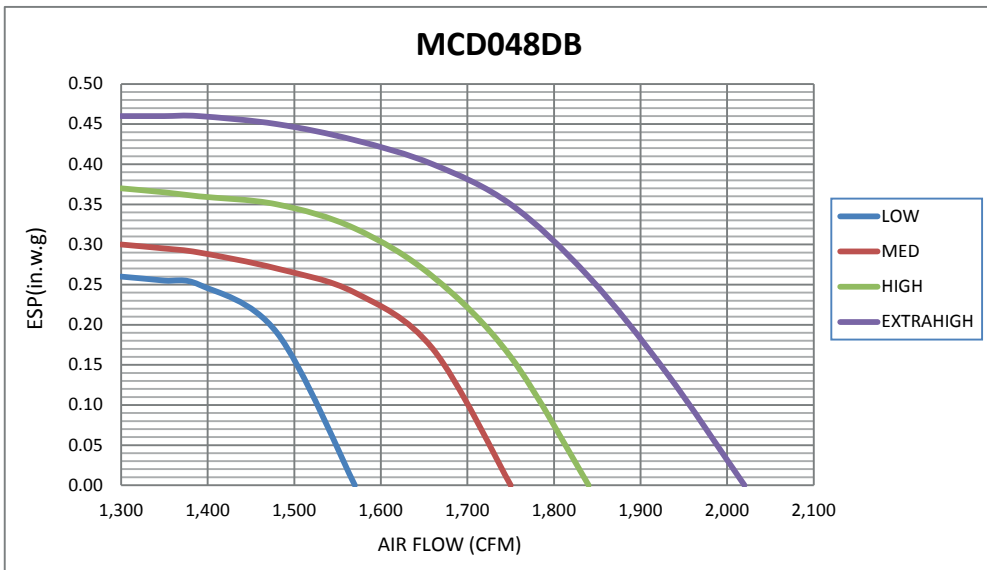
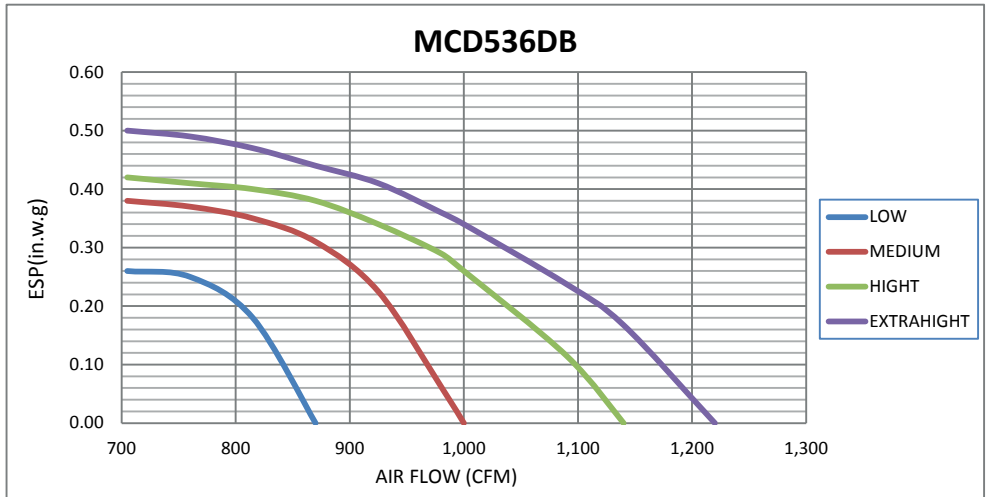
# Fan Performance Data

---



# Fan Performance Data

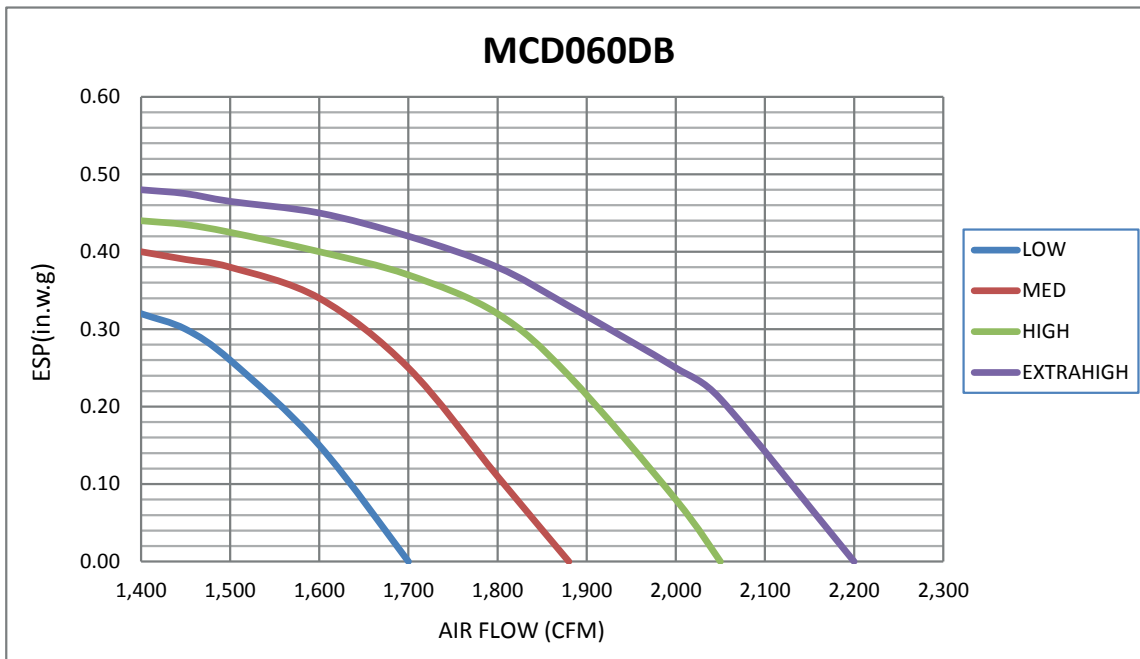
---





# Fan Performance Data

---





# Performance Data Cooling

## 2TTB0512AA WITH MCD512DBP AT 300 CFM \*\* GROSS CAPACITY IN BTU/H X 1000

O.D. D.B.	I.D. W.B.	GROSS CAP.	SENS. CAP. AT ENTERING D.B. TEMP.					COMPR. KW
			72	74	76	78	80	
85	59	11.0	8.2	8.8	9.3	9.9	10.5	0.96
	63	12.0	7.2	7.7	8.3	8.9	9.4	1.00
	67	13.1	6.0	6.6	7.1	7.7	8.9	1.04
	71	14.2	4.8	5.4	6.0	6.5	7.1	1.08
90	59	11.0	8.2	8.8	9.3	9.9	10.5	1.01
	63	12.1	7.2	7.8	8.3	8.9	9.5	1.05
	67	13.1	6.0	6.6	7.2	7.7	8.7	1.09
	71	14.3	4.8	5.4	6.0	6.5	7.1	1.03
95	59	11.0	8.2	8.8	9.3	9.9	10.5	1.06
	63	12.1	7.2	7.8	8.3	8.9	9.5	1.10
	67	13.2	6.0	6.6	7.2	7.7	8.3	1.14
	71	14.3	4.8	5.4	6.0	6.6	7.1	1.18
100	59	11.0	8.2	8.7	9.3	9.9	10.4	1.12
	63	12.0	7.2	7.7	8.3	8.9	9.4	1.16
	67	13.1	6.0	6.6	7.1	7.7	8.3	1.20
	71	14.2	4.8	5.4	5.9	6.5	7.1	1.24
105	59	10.9	8.1	8.7	9.3	9.8	10.4	1.19
	63	11.9	7.1	7.7	8.3	8.8	9.4	1.22
	67	13.0	6.0	6.5	7.1	7.7	8.2	1.26
	71	14.1	4.8	5.3	5.9	6.5	7.1	1.31
115	59	10.7	8.1	8.6	9.2	9.8	10.3	1.31
	63	11.7	7.1	7.6	8.2	8.8	9.3	1.35
	67	12.8	5.9	6.5	7.0	7.6	8.2	1.39
	71	13.9	4.7	5.3	5.8	6.4	7.0	1.43

VALUES AT 95/80/67 RATING CONDITIONS  
 GROSS CAPACITY= 13200 BTUH  
 AIRFLOW = 300 CFM  
 COMPRESSOR POWER = 1142 WATTS  
 I.D. FAN POWER = 90 WATTS  
 O.D. FAN POWER = 130 WATTS  
 E.E.R. = 9.46 BTUH/WATT

**CORRECTION FACTORS - OTHER AIRFLOWS**  
 (Multiply or Add as indicated)  
 AIRFLOW 250 350  
 TOTALCAP. x 0.99 x 1.01  
 SENS. CAP. x 0.94 x 1.07

## 2TTB0512AA WITH MCD518DBP AT 450 CFM \*\* GROSS CAPACITY IN BTU/H X 1000

O.D. D.B.	I.D. W.B.	GROSS CAP.	SENS. CAP. AT ENTERING D.B. TEMP.					COMPR. KW
			72	74	76	78	80	
85	59	13.1	11.4	12.3	13.1	13.4*	13.8*	0.99
	63	14.2	9.9	10.7	11.6	12.4	13.2	1.03
	67	15.4	8.2	9.0	9.8	10.7	11.5	1.07
	71	16.6	6.5	7.3	8.1	8.9	9.7	1.12
90	59	13.1	11.4	12.2	13.0	13.4*	13.7*	1.04
	63	14.2	9.9	10.7	11.5	12.3	13.2	1.08
	67	15.4	8.2	9.0	9.8	10.6	11.4	1.13
	71	16.6	6.4	7.2	8.1	8.9	9.7	1.17
95	59	13.0	11.4	12.2	13.0*	13.4*	13.7*	1.10
	63	14.1	9.9	10.7	11.5	12.3	13.1	1.14
	67	15.3	8.2	9.0	9.8	10.6	11.4	1.18
	71	16.5	6.4	7.2	8.0	8.8	9.7	1.23
100	59	12.6	11.2	12.0	12.7*	13.0*	13.4*	1.14
	63	13.7	9.7	10.5	11.3	12.1	12.9	1.18
	67	14.8	7.9	8.8	9.6	10.4	11.2	1.23
	71	16.0	6.2	7.0	7.8	8.6	9.4	1.27
105	59	12.2	11.0	11.8	12.3*	12.7*	13.0*	1.19
	63	13.2	9.4	10.2	11.1	11.9	12.7	1.23
	67	14.3	7.7	8.5	9.3	10.2	11.0	1.27
	71	15.4	5.9	6.8	7.6	8.4	9.2	1.32
115	59	11.3	10.5	11.3*	11.6*	11.9*	12.3*	1.28
	63	12.3	9.0	9.8	10.6	11.4	12.2	1.32
	67	13.3	7.3	8.1	8.9	9.7	10.5	1.36
	71	14.3	5.5	6.3	7.1	7.9	8.7	1.40
120	59	10.9	10.3	11.0*	11.3*	11.6*	11.9*	1.33
	63	11.8	8.8	9.6	10.4	11.2	11.9*	1.37
	67	12.8	7.0	7.9	8.7	9.5	10.3	1.41
	71	13.8	5.3	6.1	6.9	7.7	8.5	1.45

VALUES AT 95/80/67 RATING CONDITIONS  
 GROSS CAPACITY= 15300 BTUH  
 AIRFLOW = 450 CFM  
 COMPRESSOR POWER = 1183 WATTS  
 I.D. FAN POWER = 110 WATTS  
 O.D. FAN POWER = 130 WATTS  
 S.E.E.R. = 10.27 BTUH/WATT  
 E.E.R. = 10.75 BTUH/WATT

**CORRECTION FACTORS - OTHER AIRFLOWS**  
 (Multiply or Add as indicated)  
 AIRFLOW 400 500  
 TOTALCAP. x 0.99 x 1.01  
 SENS. CAP. x 0.96 x 1.04

TOTAL AND SENSIBLE CAPACITY  
 GROSS CAPACITY IN BTUH/1000  
 \* DRY COIL CONDITION (TOTAL CAPACITY = SENSIBLE CAPACITY)  
 TOTAL CAPACITY, COMP. KW ARE VALID ONLY  
 FOR WET COIL  
 ALL TEMPERATURES IN DEGREES F  
 \*\* NOMINAL CFM



# Performance Data Cooling

## 2TTB0518AA WITH MCD518DBP AT 450 CFM\*\* GROSS CAPACITY IN BTU/H X 1000

O.D. D.B.	I.D. W.B.	GROSS CAP.	SENS. CAP. AT ENTERING D.B. TEMP.					COMPR. KW
			72	74	76	78	80	
85	59	15.5	12.5	13.3	14.1	14.9	15.6*	1.32
	63	16.8	11.1	11.9	12.7	13.5	14.3	1.37
	67	18.1	9.4	10.2	11.0	11.8	12.6	1.42
	71	19.6	7.6	8.4	9.2	10.0	10.8	1.47
90	59	15.5	12.5	13.3	14.2	15.0	15.6*	1.39
	63	16.8	11.1	11.9	12.7	13.5	14.3	1.44
	67	18.2	9.4	10.2	11.0	11.8	12.6	1.49
	71	19.6	7.6	8.4	9.3	10.1	10.9	1.54
95	59	15.5	12.6	13.4	14.2	15.0	15.6*	1.46
	63	16.8	11.1	11.9	12.7	13.5	14.3	1.51
	67	18.2	9.4	10.2	11.0	11.8	12.6	1.56
	71	19.6	7.7	8.5	9.3	10.1	10.9	1.62
100	59	15.0	12.3	13.1	13.9	14.7	15.2*	1.51
	63	16.3	10.8	11.6	12.4	13.2	14.0	1.56
	67	17.6	9.1	9.9	10.7	11.5	12.3	1.61
	71	19.0	7.4	8.2	9.0	9.8	10.6	1.66
105	59	14.5	12.0	12.8	13.6	14.4	14.8*	1.56
	63	15.7	10.5	11.3	12.2	13.0	13.8	1.61
	67	17.0	8.9	9.7	10.5	11.3	12.1	1.66
	71	18.4	7.1	7.9	8.7	9.5	10.3	1.71
115	59	13.4	11.5	12.3	13.1	13.6*	14.0*	1.66
	63	14.6	10.0	10.8	11.6	12.4	13.2	1.71
	67	15.8	8.3	9.1	9.9	10.7	11.5	1.75
	71	17.1	6.6	7.4	8.2	9.0	9.8	1.80
120	59	12.9	11.2	12.0	12.8	13.2*	13.6*	1.71
	63	14.1	9.7	10.5	11.4	12.2	13.0	1.76
	67	15.2	8.1	8.9	9.7	10.5	11.3	1.80
	71	16.4	6.3	7.1	7.9	8.7	9.5	1.85

VALUES AT 95/80/67 RATING CONDITIONS  
 GROSS CAPACITY= 18200 BTUH  
 AIRFLOW = 450 CFM  
 COMPRESSOR POWER = 1562 WATTS  
 I.D. FAN POWER = 110 WATTS  
 O.D. FAN POWER = 130 WATTS  
 S.E.E.R. = 9.65 BTUH/WATT  
 E.E.R. = 10.10 BTUH/WATT

**CORRECTION FACTORS - OTHER AIRFLOWS**  
 (Multiply or Add as indicated)  
 AIRFLOW                    400                    500  
 TOTALCAP.                x 0.99                x 1.01  
 SENS. CAP.                x 0.96                x 1.04

## 2TTB0518AA WITH MCD524DBP AT 600 CFM\*\* GROSS CAPACITY IN BTU/H X 1000

O.D. D.B.	I.D. W.B.	GROSS CAP.	SENS. CAP. AT ENTERING D.B. TEMP.					COMPR. KW
			72	74	76	78	80	
85	59	16.6	13.9	15.1	16.2	16.9*	17.4*	1.38
	63	18.0	11.7	12.9	14.0	15.2	16.3	1.43
	67	19.4	9.3	10.4	11.6	12.7	13.9	1.48
	71	20.9	6.8	8.0	9.1	10.2	11.4	1.53
90	59	16.4	13.9	15.0	16.1	16.8*	19.2*	1.45
	63	17.8	11.7	12.8	13.9	15.1	16.2	1.5
	67	19.2	9.2	10.4	11.5	12.6	13.8	1.55
	71	20.6	6.7	7.9	9.0	10.2	11.3	1.60
95	59	16.3	13.6	14.9	16.1	16.7*	17.1*	1.51
	63	17.6	11.6	12.7	13.9	15.0	16.1	1.56
	67	19.0	9.2	10.3	11.4	12.6	13.7	1.62
	71	20.6	6.7	7.8	8.9	10.1	11.2	1.67
100	59	15.8	13.6	14.7	15.9*	16.3*	16.7*	1.58
	63	17.1	11.4	12.5	13.7	14.8	16.0	1.63
	67	18.5	9.0	10.1	11.2	12.4	13.5	1.69
	71	19.9	6.5	7.6	8.7	9.9	11.0	1.74
105	59	15.4	13.4	14.6	15.5*	15.9*	16.3*	1.65
	63	16.6	11.2	12.4	13.5	14.6	15.8	1.70
	67	18.0	8.8	9.9	11.1	12.2	13.3	1.76
	71	19.3	6.3	7.4	8.6	9.7	10.8	1.81
115	59	14.5	13.1	14.2	14.8*	15.2*	15.6*	1.80
	63	15.7	10.9	12.4	13.1	14.3	15.4	1.85
	67	16.9	8.4	9.5	10.7	11.8	13.0	1.90
	71	18.2	5.9	7.1	8.2	9.3	10.5	1.96

VALUES AT 95/80/67 RATING CONDITIONS  
 GROSS CAPACITY= 19000 BTUH  
 AIRFLOW = 600 CFM  
 COMPRESSOR POWER = 1613 WATTS  
 I.D. FAN POWER = 190 WATTS  
 O.D. FAN POWER = 130 WATTS  
 E.E.R. = 9.44 BTUH/WATT

**CORRECTION FACTORS - OTHER AIRFLOWS**  
 (Multiply or Add as indicated)  
 AIRFLOW                    525                    675  
 TOTALCAP.                x 0.99                x 1.01  
 SENS. CAP.                x 0.96                x 1.04

TOTAL AND SENSIBLE CAPACITY  
 GROSS CAPACITY IN BTUH/1000  
 \* DRY COIL CONDITION (TOTAL CAPACITY = SENSIBLE CAPACITY)  
 TOTAL CAPACITY, COMP. KW ARE VALID ONLY  
 FOR WET COIL  
 ALL TEMPERATURES IN DEGREES F  
 \*\* NOMINAL CFM



# Performance Data Cooling

## 2TTB0524AA WITH MCD524DBP AT 600 CFM\*\* GROSS CAPACITY IN BTU/H X 1000

O.D. D.B.	I.D. W.B.	GROSS CAP.	SENS. CAP. AT ENTERING D.B. TEMP.					COMPR. KW
			72	74	76	78	80	
85	61	22.1	15.4	16.7	18.0	19.2	20.0	1.79
	65	23.8	12.7	14.1	15.3	16.7	18.0	1.86
	67	24.7	11.3	12.6	14.0	15.3	16.6	1.90
	71	26.6	8.5	9.8	11.1	12.4	13.7	1.97
95	61	21.5	15.2	16.4	17.8	18.9	20.0	1.94
	65	23.1	12.5	13.8	15.1	16.4	17.7	2.02
	67	24.0	11.1	12.4	13.7	15.0	16.3	2.06
	71	25.8	8.3	9.5	10.9	12.1	13.5	2.14
105	61	20.6	14.6	15.9	17.1	18.2	19.2	2.11
	65	22.2	12.0	13.3	14.6	15.8	17.2	2.19
	67	23.1	10.6	11.8	13.2	14.5	15.8	2.23
	71	24.8	9.1	9.1	10.4	11.7	13.0	2.32
115	61	19.7	14.2	15.4	16.6	17.7	18.6	2.29
	65	21.3	11.5	12.8	14.1	15.4	16.7	2.37
	67	22.1	10.1	11.5	12.7	14.1	15.3	2.42
	71	23.7	7.4	8.6	9.9	11.2	12.5	2.50

\* Dry coil condition (Gross Capacity = Sensible Capacity)  
Gross Capacity and Comp. KW are valid only for Wet Coil  
Performance at the Rating Conditions of 80/67 & 95 F  
**GROSS CAPACITY: 24.0 MBH**  
**AIRFLOW: 600 CFM**  
**SYSTEM POWER: 2404 WATTS**  
**EER (BTU/W-HR): 10.0**

**CORRECTION FACTORS - OTHER AIRFLOWS**  
(Multiply or Add as indicated)  
AIRFLOW 525 675  
TOTALCAP. x 0.99 x 1.01  
SENS. CAP. x 0.96 x 1.04

## 2TTB0524AA WITH MCD530DBP AT 750 CFM\*\* GROSS CAPACITY IN BTU/H X 1000

O.D. D.B.	I.D. W.B.	GROSS CAP.	SENS. CAP. AT ENTERING D.B. TEMP.					COMPR. KW
			72	74	76	78	80	
85	61	22.8	17.2	18.7	20.1	21.5	22.3	1.79
	65	24.6	14.2	15.7	17.1	18.6	20.0	1.87
	67	25.6	12.7	14.1	15.6	17.0	18.5	1.90
	71	27.5	9.5	11.0	12.4	13.9	15.3	1.98
95	61	22.2	16.9	18.3	19.8	21.1	22.3*	1.95
	65	23.9	13.9	15.4	16.9	18.3	19.8	2.02
	67	24.8	12.3	13.8	15.3	16.7	18.2	2.07
	71	26.7	9.2	10.6	12.1	13.5	15.1	2.15
105	61	21.3	16.3	17.7	19.1	20.3	21.5*	2.12
	65	23.0	13.4	14.8	16.3	17.7	19.2	2.20
	67	23.9	11.8	13.2	14.7	16.1	17.6	2.24
	71	25.6	10.1	10.2	11.6	13.1	14.5	2.33
115	61	20.4	15.8	17.2	18.5	19.7	20.8*	2.29
	65	22.0	12.9	14.3	15.8	17.2	18.6	2.38
	67	22.8	11.3	12.8	14.2	15.7	17.1	2.42
	71	24.5	8.2	9.6	11.1	12.6	14.0	2.51

\* Dry coil condition (Gross Capacity = Sensible Capacity)  
Gross Capacity and Comp. KW are valid only for Wet Coil  
Performance at the Rating Conditions of 80/67 & 95 F  
**GROSS CAPACITY: 24.8 MBH**  
**AIRFLOW: 750 CFM**  
**SYSTEM POWER: 2421 WATTS**  
**EER (BTU/W-HR): 10.2**

**CORRECTION FACTORS - OTHER AIRFLOWS**  
(Multiply or Add as indicated)  
AIRFLOW 700 800  
TOTALCAP. x 0.99 x 1.01  
SENS. CAP. x 0.96 x 1.02

TOTAL AND SENSIBLE CAPACITY  
GROSS CAPACITY IN BTU/H/1000  
\* DRY COIL CONDITION (TOTAL CAPACITY = SENSIBLE CAPACITY)  
TOTAL CAPACITY, COMP. KW ARE VALID ONLY  
FOR WET COIL  
ALL TEMPERATURES IN DEGREES F  
\*\* NOMINAL CFM



# Performance Data Cooling

## 2TTB0530AA WITH MCD524DBP AT 600 CFM\*\* GROSS CAPACITY IN BTU/H X 1000

O.D. D.B.	I.D. W.B.	GROSS CAP.	SENS. CAP. AT ENTERING D.B. TEMP.					COMPR. KW
			72	74	76	78	80	
85	61	24.5	16.6	18.1	19.4	20.8	21.6	2.18
	65	26.4	13.7	15.2	16.6	18.0	19.4	2.27
	67	27.4	12.2	13.7	15.1	16.5	17.9	2.31
	71	29.5	9.1	10.6	12.0	13.4	14.8	2.41
95	61	23.8	16.4	17.7	19.2	20.4	21.5	2.37
	65	25.6	13.5	14.9	16.3	17.7	19.1	2.46
	67	26.6	11.9	13.4	14.8	16.2	17.6	2.51
	71	28.6	8.9	10.3	11.7	13.1	14.6	2.61
105	61	22.8	15.7	17.2	18.5	19.6	20.8	2.58
	65	24.6	12.9	14.3	15.7	17.1	18.5	2.68
	67	25.6	11.4	12.8	14.2	15.6	17.0	2.73
	71	27.4	9.8	9.8	11.2	12.6	14.0	2.83
115	61	21.8	15.3	16.7	17.9	19.1	20.1	2.79
	65	23.6	12.4	13.9	15.2	16.7	18.0	2.90
	67	24.5	10.9	12.4	13.7	15.2	16.5	2.95
	71	26.3	8.0	9.3	10.7	12.1	13.5	3.05

\* Dry coil condition (Gross Capacity = Sensible Capacity)  
Gross Capacity and Comp. KW are valid only for Wet Coil  
Performance at the Rating Conditions of 80/67 & 95 F  
**GROSS CAPACITY: 26.6 MBH**  
**AIRFLOW: 600 CFM**  
**SYSTEM POWER: 2860 WATTS**  
**EER (BTU/W-HR): 9.3**

**CORRECTION FACTORS - OTHER AIRFLOWS**  
(Multiply or Add as indicated)  
AIRFLOW 525 675  
TOTALCAP. x 0.99 x 1.01  
SENS. CAP. x 0.96 x 1.04

## 2TTB0530AAWITH MCD530DBP AT 750 CFM\*\* GROSS CAPACITY IN BTU/H X 1000

O.D. D.B.	I.D. W.B.	GROSS CAP.	SENS. CAP. AT ENTERING D.B. TEMP.					COMPR. KW
			72	74	76	78	80	
85	61	25.7	18.2	19.8	21.3	22.8	23.6	2.18
	65	27.7	15.1	16.6	18.2	19.7	21.3	2.27
	67	28.8	13.4	15.0	16.5	18.1	19.6	2.32
	71	30.9	10.0	11.6	13.1	14.7	16.3	2.41
95	61	24.9	18.0	19.4	21.0	22.3	23.6	2.37
	65	26.9	14.8	16.3	17.9	19.4	21.0	2.46
	67	27.9	13.1	14.7	16.2	17.8	19.3	2.52
	71	30.0	9.8	11.3	12.9	14.4	16.0	2.61
105	61	23.9	17.3	18.8	20.3	21.5	22.8	2.58
	65	25.8	14.2	15.7	17.3	18.8	20.3	2.68
	67	26.9	12.5	14.0	15.6	17.1	18.7	2.73
	71	28.8	10.7	10.8	12.3	13.9	15.4	2.84
115	61	22.9	16.8	18.3	19.7	20.9	22.0	2.79
	65	24.7	13.6	15.2	16.7	18.3	19.8	2.90
	67	25.7	12.0	13.6	15.1	16.6	18.1	2.95
	71	27.6	8.7	10.2	11.8	13.3	14.8	3.06

\* Dry coil condition (Gross Capacity = Sensible Capacity)  
Gross Capacity and Comp. KW are valid only for Wet Coil  
Performance at the Rating Conditions of 80/67 & 95 F  
**GROSS CAPACITY: 27.9 MBH**  
**AIRFLOW: 750 CFM**  
**SYSTEM POWER: 2894 WATTS**  
**EER (BTU/W-HR): 9.6**

**CORRECTION FACTORS - OTHER AIRFLOWS**  
(Multiply or Add as indicated)  
AIRFLOW 700 800  
TOTALCAP. x 0.99 x 1.01  
SENS. CAP. x 0.96 x 1.02

TOTAL AND SENSIBLE CAPACITY  
GROSS CAPACITY IN BTU/H/1000  
\* DRY COIL CONDITION (TOTAL CAPACITY = SENSIBLE CAPACITY)  
TOTAL CAPACITY, COMP. KW ARE VALID ONLY  
FOR WET COIL  
ALL TEMPERATURES IN DEGREES F  
\*\* NOMINAL CFM



# Performance Data Cooling

## 2TTB0536AA WITH MCD530DBPAT 750 CFM\*\* GROSS CAPACITY IN BTU/H X 1000

O.D. D.B.	I.D. W.B.	GROSS CAP.	SENS. CAP. AT ENTERING D.B. TEMP.					COMPR. KW
			72	74	76	78	80	
85	61	30.2	20.4	22.2	23.8	25.5	26.4	2.48
	65	32.6	16.9	18.6	20.3	22.1	23.8	2.58
	67	33.8	15.0	16.8	18.5	20.2	22.0	2.63
	71	36.3	11.2	13.0	14.7	16.5	18.2	2.74
95	61	29.3	20.1	21.8	23.5	25.0	26.4	2.69
	65	31.6	16.5	18.2	20.0	21.7	23.5	2.80
	67	32.8	14.6	16.4	18.1	19.9	21.6	2.85
	71	35.3	10.9	12.6	14.4	16.1	17.9	2.96
105	61	28.1	19.3	21.1	22.7	24.1	25.5	2.93
	65	30.4	15.9	17.6	19.3	21.0	22.7	3.04
	67	31.6	14.0	15.7	17.5	19.2	20.9	3.10
	71	33.8	12.0	12.0	13.7	15.5	17.2	3.22
115	61	26.9	18.8	20.5	22.0	23.4	24.6	3.17
	65	29.1	15.3	17.0	18.7	20.4	22.1	3.29
	67	30.2	13.4	15.2	16.9	18.6	20.3	3.35
	71	32.4	9.8	11.4	13.2	14.9	16.6	3.47

\* Dry coil condition (Gross Capacity = Sensible Capacity)  
Gross Capacity and Comp. KW are valid only for Wet Coil  
Performance at the Rating Conditions of 80/67 & 95 F  
**GROSS CAPACITY: 32.8 MBH**  
**AIRFLOW: 750 CFM**  
**SYSTEM POWER: 3270 WATTS**  
**EER (BTU/W-HR): 10.0**

**CORRECTION FACTORS - OTHER AIRFLOWS**  
(Multiply or Add as indicated)  
AIRFLOW 700 800  
TOTALCAP. x 0.99 x 1.01  
SENS. CAP. x 0.96 x 1.02

## 2TTB0536AA WITH MCD536DBP AT 900 CFM\*\* GROSS CAPACITY IN BTU/H X 1000

O.D. D.B.	I.D. W.B.	GROSS CAP.	SENS. CAP. AT ENTERING D.B. TEMP.					COMPR. KW
			72	74	76	78	80	
85	61	31.3	22.1	24.0	25.8	27.6	28.7	2.47
	65	33.8	18.3	20.2	22.0	23.9	25.8	2.57
	67	35.1	16.3	18.2	20.1	21.9	23.8	2.62
	71	37.6	12.2	14.1	15.9	17.9	19.7	2.73
95	61	30.4	21.8	23.6	25.5	27.1	28.6	2.68
	65	32.8	17.9	19.7	21.7	23.5	25.4	2.79
	67	34.0	15.9	17.8	19.7	21.5	23.4	2.85
	71	36.6	11.9	13.7	15.6	17.4	19.4	2.96
105	61	29.1	20.0	22.8	24.6	26.1	27.6	2.92
	65	31.5	17.2	19.0	20.9	22.7	24.6	3.03
	67	32.7	15.2	17.0	18.9	20.7	22.7	3.09
	71	35.1	13.0	13.1	14.9	16.8	18.6	3.21
115	61	27.9	20.4	22.2	23.8	25.4	26.7	3.16
	65	30.1	16.5	18.4	20.3	22.2	24.0	3.29
	67	31.3	14.5	16.5	18.3	20.2	22.0	3.34
	71	33.6	10.6	12.4	14.3	16.1	18.0	3.46

\* Dry coil condition (Gross Capacity = Sensible Capacity)  
Gross Capacity and Comp. KW are valid only for Wet Coil  
Performance at the Rating Conditions of 80/67 & 95 F  
**GROSS CAPACITY: 34.0 MBH**  
**AIRFLOW: 900 CFM**  
**SYSTEM POWER: 3284 WATTS**  
**EER (BTU/W-HR): 10.4**

**CORRECTION FACTORS - OTHER AIRFLOWS**  
(Multiply or Add as indicated)  
AIRFLOW 750 975  
TOTALCAP. x 0.99 x 1.01  
SENS. CAP. x 0.96 x 1.07

**TOTALAND SENSIBLE CAPACITY**  
**GROSS CAPACITYIN BTUH/1000**  
**\* DRY COILCONDITION (TOTALCAPACITY= SENSIBLE CAPACITY)**  
**TOTALCAPACITY, COMP. KW ARE VALID ONLY**  
**FOR WET COIL**  
**ALLTEMPERATURES IN DEGREES F**  
**\*\* NOMINALCFM**





# Performance Data Cooling

## 2TTA0040AD WITH MCD536DBP AT 900 CFM\*\* GROSS CAPACITY IN BTU/H X 1000

O.D. D.B.	I.D. W.B.	GROSS CAP.	SENS. CAP. AT ENTERING D.B. TEMP.					COMPR. KW
			72	74	76	78	80	
85	61	33.7	23.2	25.2	27.1	29.0	30.1	2.85
	65	36.3	19.2	21.2	23.2	25.2	27.1	2.97
	67	37.7	17.1	19.1	21.1	23.0	25.0	3.02
	71	40.5	12.8	14.8	16.7	18.8	20.7	3.15
95	61	32.7	22.9	24.8	26.8	28.5	30.1	3.09
	65	35.3	18.8	20.8	22.8	24.7	26.7	3.22
	67	36.6	16.7	18.7	20.7	22.6	24.6	3.28
	71	39.3	12.5	14.4	16.4	18.3	20.4	3.41
105	61	31.4	22.0	24.0	25.8	27.4	29.0	3.37
	65	33.9	18.1	20.0	22.0	23.9	25.9	3.50
	67	35.2	16.0	17.9	19.9	21.8	23.8	3.57
	71	37.7	13.7	13.7	15.6	17.7	19.6	3.71
115	61	30.0	21.4	23.3	25.0	26.7	28.0	3.65
	65	32.4	17.4	19.4	21.3	23.3	25.2	3.79
	67	33.7	15.3	17.3	19.2	21.2	23.1	3.86
	71	36.2	11.1	13.0	15.0	17.0	18.9	3.99

\* Dry coil condition (Gross Capacity = Sensible Capacity)  
Gross Capacity and Comp. KW are valid only for Wet Coil  
Performance at the Rating Conditions of 80/67 & 95 F  
**GROSS CAPACITY: 36.6 MBH**  
**AIRFLOW: 900 CFM**  
**SYSTEM POWER: 3709 WATTS**  
**EER (BTU/W-HR): 9.9**

**CORRECTION FACTORS - OTHER AIRFLOWS**  
(Multiply or Add as indicated)  
AIRFLOW 750 975  
TOTALCAP. x 0.99 x 1.01  
SENS. CAP. x 0.96 x 1.07

## 2TTA0040AD WITH MCD048DBP AT 1600 CFM\*\* GROSS CAPACITY IN BTU/H X 1000

O.D. D.B.	I.D. W.B.	GROSS CAP.	SENS. CAP. AT ENTERING D.B. TEMP.					COMPR. KW
			72	74	76	78	80	
85	61	36.1	30.4	33.0	35.5	38.0*	39.4*	2.97
	65	38.9	25.1	27.8	30.3	32.9	35.5	3.09
	67	40.4	22.4	25.0	27.6	30.1	32.7	3.15
	71	43.4	16.7	19.4	21.9	24.6	27.1	3.28
95	61	35.0	30.0	32.4	35.1*	37.2*	39.4*	3.22
	65	37.8	24.7	27.2	29.8	32.3	35.0	3.35
	67	39.2	21.8	24.5	27.0	29.6	32.2	3.42
	71	42.1	16.3	18.8	21.5	24.0	26.7	3.55
105	61	33.6	28.8	31.4	33.8*	35.9*	38.0*	3.51
	65	36.3	23.6	26.2	28.8	31.3	33.9	3.65
	67	37.7	20.9	23.4	26.0	28.6	31.2	3.71
	71	40.4	17.9	18.0	20.5	23.1	25.6	3.86
115	61	32.2	28.0	30.5	32.8*	34.9*	36.7*	3.80
	65	34.7	22.8	25.4	27.9	30.5	33.0	3.95
	67	36.1	20.0	22.7	25.1	27.8	30.3	4.02
	71	38.8	14.6	17.1	19.6	22.2	24.8	4.16

\* Dry coil condition (Gross Capacity = Sensible Capacity)  
Gross Capacity and Comp. KW are valid only for Wet Coil  
Performance at the Rating Conditions of 80/67 & 95 F  
**GROSS CAPACITY: 39.2 MBH**  
**AIRFLOW: 1600 CFM**  
**SYSTEM POWER: 4205 WATTS**  
**EER (BTU/W-HR): 9.3**

**CORRECTION FACTORS - OTHER AIRFLOWS**  
(Multiply or Add as indicated)  
AIRFLOW 1400 1625  
TOTALCAP. x 0.99 x 1.00  
SENS. CAP. x 0.96 x 1.01

**TOTAL AND SENSIBLE CAPACITY**  
**GROSS CAPACITY IN BTU/H/1000**  
**\* DRY COIL CONDITION (TOTAL CAPACITY = SENSIBLE CAPACITY)**  
**TOTAL CAPACITY, COMP. KW ARE VALID ONLY**  
**FOR WET COIL**  
**ALL TEMPERATURES IN DEGREES F**  
**\*\* NOMINAL CFM**



# Performance Data

## Cooling

### 2TTA0050AD WITH MCD048DBP AT 1600 CFM\*\* GROSS CAPACITY IN BTU/H X 1000

O.D. D.B.	I.D. W.B.	GROSS CAP.	SENS. CAP. AT ENTERING D.B. TEMP.					COMPR. KW
			72	74	76	78	80	
85	61	45.2	34.3	37.4	40.2	42.9	44.6	3.78
	65	48.7	28.4	31.4	34.3	37.2	40.1	3.93
	67	50.6	25.3	28.2	31.2	34.1	37.0	4.01
	71	54.4	18.9	21.9	24.7	27.8	30.7	4.17
95	61	43.9	33.9	36.7	39.7	42.1	44.6*	4.10
	65	47.3	27.9	30.7	33.7	36.6	39.5	4.26
	67	49.1	24.7	27.7	30.6	33.5	36.4	4.35
	71	52.8	18.4	21.3	24.3	27.1	30.2	4.52
105	61	42.1	32.6	35.5	38.2	40.6	42.9*	4.47
	65	45.5	26.7	29.6	32.5	35.4	38.3	4.64
	67	47.3	23.6	26.5	29.4	32.3	35.2	4.73
	71	50.6	20.2	20.3	23.1	26.1	29.0	4.91
115	61	40.3	31.7	34.5	37.1	39.5	41.5	4.83
	65	43.5	25.7	28.7	31.5	34.5	37.3	5.02
	67	45.2	22.6	25.7	28.4	31.4	34.2	5.11
	71	48.6	16.5	19.3	22.2	25.1	28.0	5.29

\* Dry coil condition (Gross Capacity = Sensible Capacity)  
 Gross Capacity and Comp. KW are valid only for Wet Coil  
 Performance at the Rating Conditions of 80/67 & 95 F  
**GROSS CAPACITY: 49.1 MBH**  
**AIRFLOW: 1600 CFM**  
**SYSTEM POWER: 5178 WATTS**  
**EER (BTU/W-HR): 9.5**

**CORRECTION FACTORS - OTHER AIRFLOWS**  
 (Multiply or Add as indicated)  
 AIRFLOW 1400 1625  
 TOTALCAP. x 0.99 x 1.00  
 SENS. CAP. x 0.96 x 1.01

### 2TTA0050AD WITH MCD060DBP AT 2000 CFM\*\* GROSS CAPACITY IN BTU/H X 1000

O.D. D.B.	I.D. W.B.	GROSS CAP.	SENS. CAP. AT ENTERING D.B. TEMP.					COMPR. KW
			72	74	76	78	80	
85	61	48.7	40.5	44.1	47.4	50.7*	52.7*	3.92
	65	52.6	33.6	37.1	40.5	44.0	47.4	4.08
	67	54.6	29.9	33.4	36.9	40.2	43.7	4.16
	71	58.7	22.3	25.9	29.2	32.8	36.2	4.33
95	61	47.4	40.0	43.3	46.8	49.7*	52.6*	4.25
	65	51.1	32.9	36.3	39.8	43.2	46.7	4.42
	67	53.0	29.2	32.7	36.1	39.6	43.0	4.51
	71	57.0	21.8	25.1	28.7	32.0	35.6	4.69
105	61	45.4	38.5	41.9	45.2	48.0*	50.7*	4.63
	65	49.1	31.6	35.0	38.4	41.8	45.3	4.81
	67	51.0	27.9	31.3	34.8	38.1	41.6	4.90
	71	54.7	23.9	24.0	27.3	30.9	34.2	5.10
115	61	43.5	37.4	40.7	43.8*	46.6*	49.0*	5.01
	65	47.0	30.4	33.9	37.2	40.7	44.1	5.21
	67	48.8	26.7	30.3	33.5	37.1	40.4	5.30
	71	52.4	19.4	22.8	26.2	29.7	33.1	5.49

\* Dry coil condition (Gross Capacity = Sensible Capacity)  
 Gross Capacity and Comp. KW are valid only for Wet Coil  
 Performance at the Rating Conditions of 80/67 & 95 F  
**GROSS CAPACITY: 53.0 MBH**  
**AIRFLOW: 2000 CFM**  
**SYSTEM POWER: 5390 WATTS**  
**EER (BTU/W-HR): 9.8**

**CORRECTION FACTORS - OTHER AIRFLOWS**  
 (Multiply or Add as indicated)  
 AIRFLOW 1750 2250  
 TOTALCAP. x 0.99 x 1.00  
 SENS. CAP. x 0.95 x 1.05

**TOTAL AND SENSIBLE CAPACITY**  
**GROSS CAPACITY IN BTU/H/1000**  
**\* DRY COIL CONDITION (TOTAL CAPACITY = SENSIBLE CAPACITY)**  
**TOTAL CAPACITY, COMP. KW ARE VALID ONLY**  
**FOR WET COIL**  
**ALL TEMPERATURES IN DEGREES F**  
**\*\* NOMINAL CFM**



# Performance Data Cooling

2TTA0060AD WITH MCD060DBP AT 2000 CFM\*\* GROSS CAPACITY IN BTU/H X 1000

O.D. D.B.	I.D. W.B.	GROSS CAP.	SENS. CAP. AT ENTERING D.B. TEMP.					COMPR. KW
			72	74	76	78	80	
85	61	56.0	43.1	46.9	50.4	53.9	56.0	4.38
	65	60.5	35.7	39.4	43.0	46.8	50.3	4.56
	67	62.8	31.8	35.5	39.2	42.8	46.5	4.64
	71	67.4	23.7	27.5	31.1	34.9	38.5	4.84
95	61	54.4	42.5	46.0	49.8	52.9	55.9*	4.75
	65	58.7	35.0	38.6	42.3	45.9	49.6	4.94
	67	60.9	31.0	34.7	38.4	42.0	45.7	5.04
	71	65.5	23.1	26.7	30.5	34.0	37.9	5.24
105	61	52.2	40.9	44.6	48.0	51.0	53.9*	5.18
	65	56.4	33.5	37.2	40.9	44.4	48.1	5.37
	67	58.6	29.7	33.2	36.9	40.5	44.2	5.48
	71	62.8	25.4	25.5	29.1	32.8	36.4	5.69
115	61	50.0	39.8	43.3	46.5	49.6	52.1*	5.60
	65	54.0	32.3	36.0	39.6	43.3	46.8	5.82
	67	56.0	28.4	32.2	35.7	39.4	43.0	5.92
	71	60.2	20.7	24.2	27.8	31.5	35.1	6.13

\* Dry coil condition (Gross Capacity = Sensible Capacity)  
Gross Capacity and Comp. KW are valid only for Wet Coil  
Performance at the Rating Conditions of 80/67 & 95 F  
**GROSS CAPACITY: 60.9 MBH**  
**AIRFLOW: 2000 CFM**  
**SYSTEM POWER: 5986 WATTS**  
**EER (BTU/W-HR): 10.2**

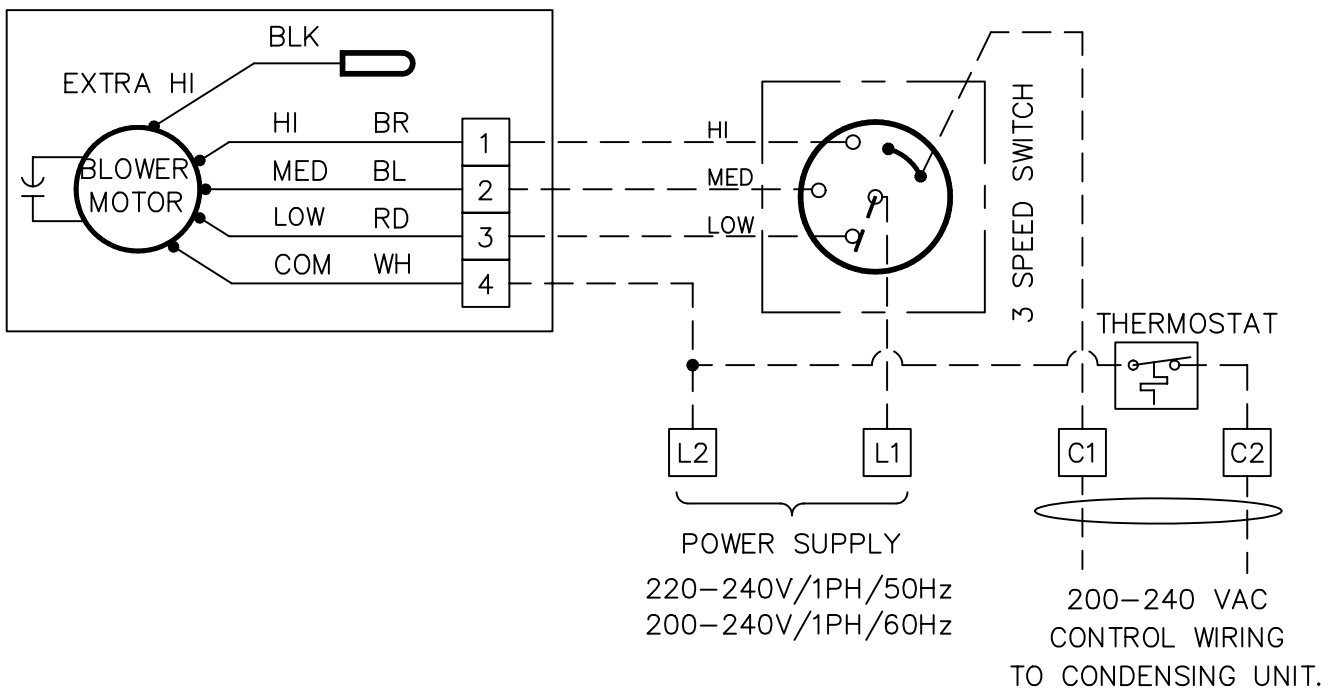
**CORRECTION FACTORS - OTHER AIRFLOWS**  
(Multiply or Add as indicated)  
AIRFLOW 1750 2250  
TOTALCAP. x 0.99 x 1.00  
SENS. CAP. x 0.95 x 1.05

TOTAL AND SENSIBLE CAPACITY  
GROSS CAPACITY IN BTU/H/1000  
\* DRY COIL CONDITION (TOTAL CAPACITY = SENSIBLE CAPACITY)  
TOTAL CAPACITY, COMP. KW ARE VALID ONLY  
FOR WET COIL  
ALL TEMPERATURES IN DEGREES F  
\*\* NOMINAL CFM

# MCD Wiring Diagram

**COOLING ONLY**  
**MCD512-536**  
**MCD048-060**

Remove HI-BR wire from TB-1 and replace with EXTRA HI-BLK wire when high speed/cfm is required in the field.



LEGEND :

- — — — — FIELD WIRING
- FACTORY WIRING

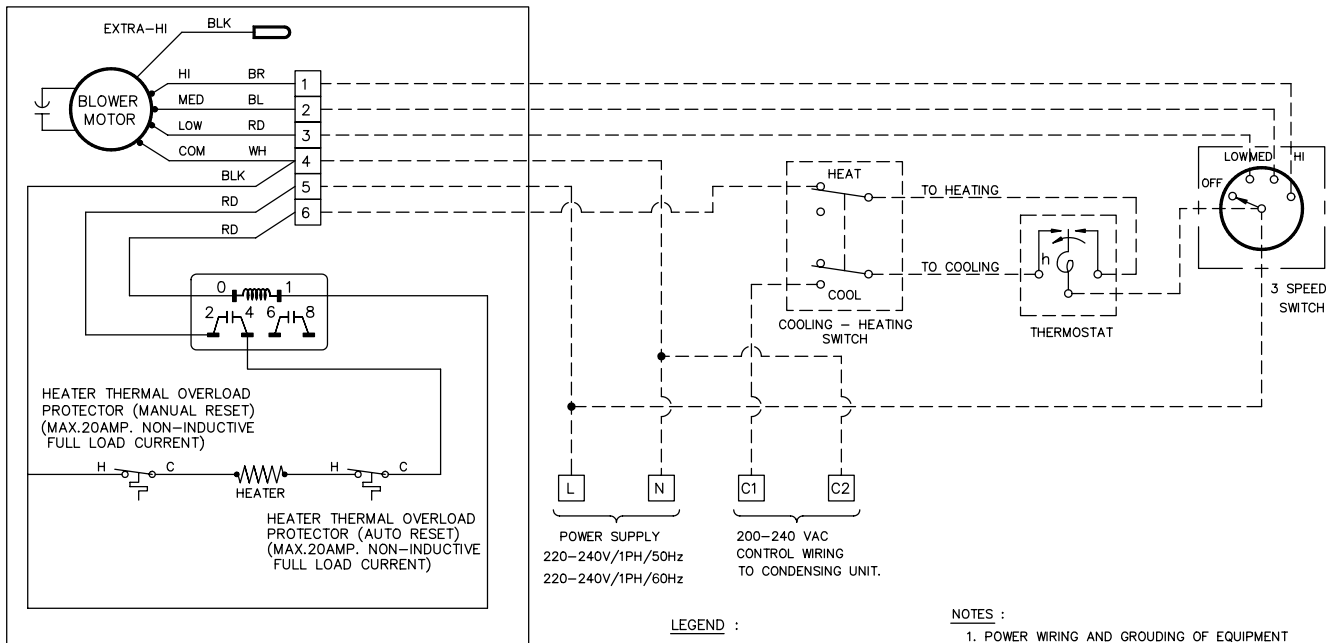
NOTES :

1. Power wiring and grounding of equipment must comply with local codes.
2. Ensure that power supply agrees with equipment nameplate.
3. Use only copper conductors.

# MCD Wiring Diagram

## COOLING HEATING MCD512-524DB

REMOVE HI-BR WIRE FROM TB-1 AND REPLACE WITH EXTRA HI-BLK WIRE WHEN HI SPEED/CFM IS REQUIRED IN THE FIELD.



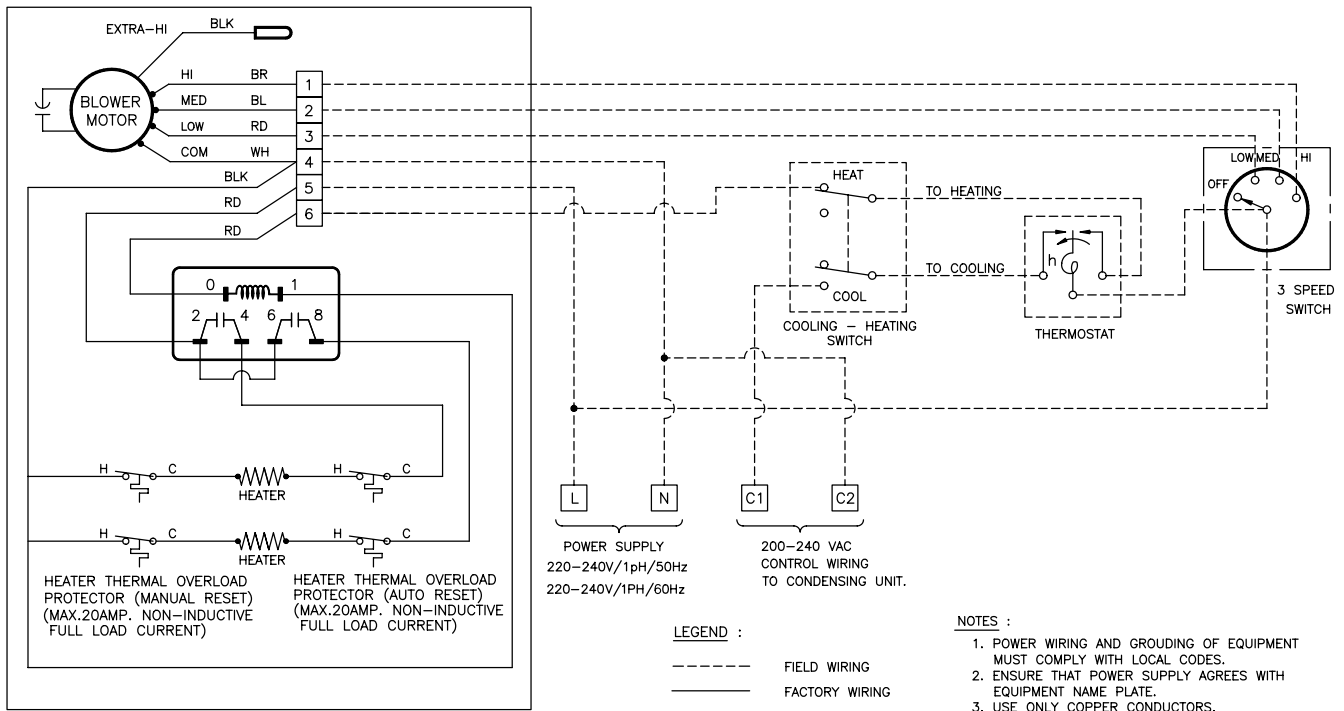
**LEGEND :**  
 - - - - - FIELD WIRING  
 \_\_\_\_\_ FACTORY WIRING

**NOTES :**  
 1. POWER WIRING AND GROUNING OF EQUIPMENT MUST COMPLY WITH LOCAL CODES.  
 2. ENSURE THAT POWER SUPPLY AGREES WITH EQUIPMENT NAME PLATE.  
 3. USE ONLY COPPER CONDUCTORS.

# MCD Wiring Diagram

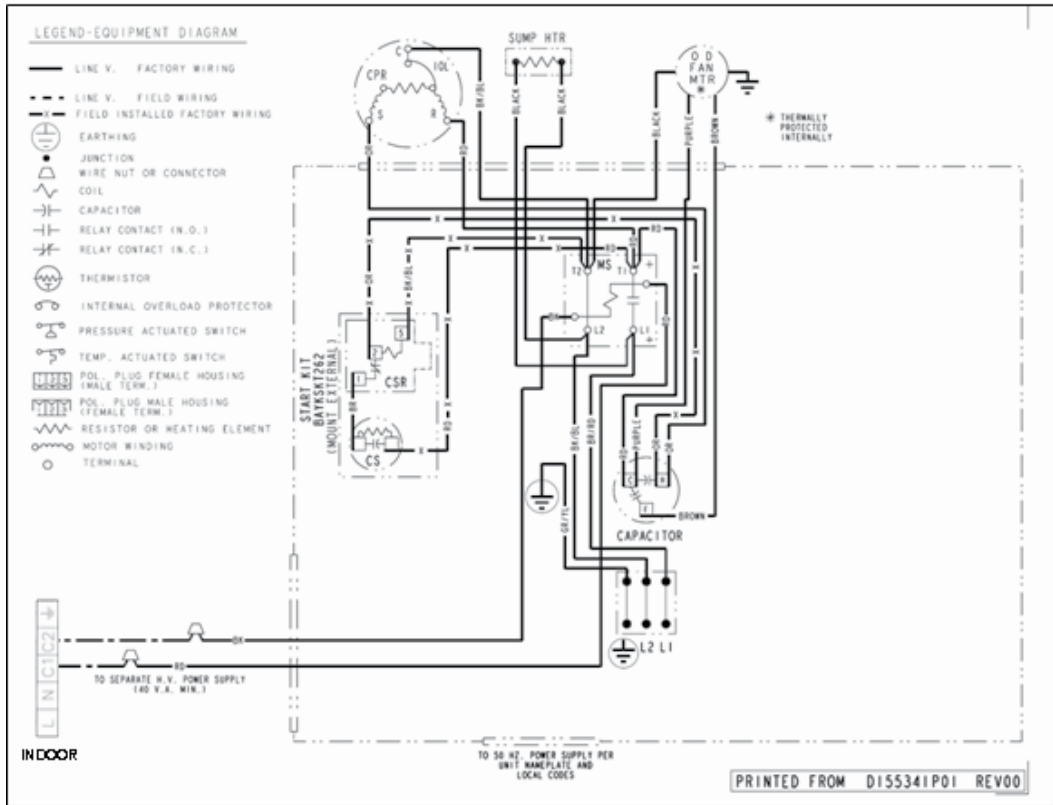
## COOLING HEATING MCD530-536DB MCD048-060DB

Remove HI-BR wire FROM TB-1 and replace with EXTRA HI-BLK wire when high speed/cfm is required in the field.

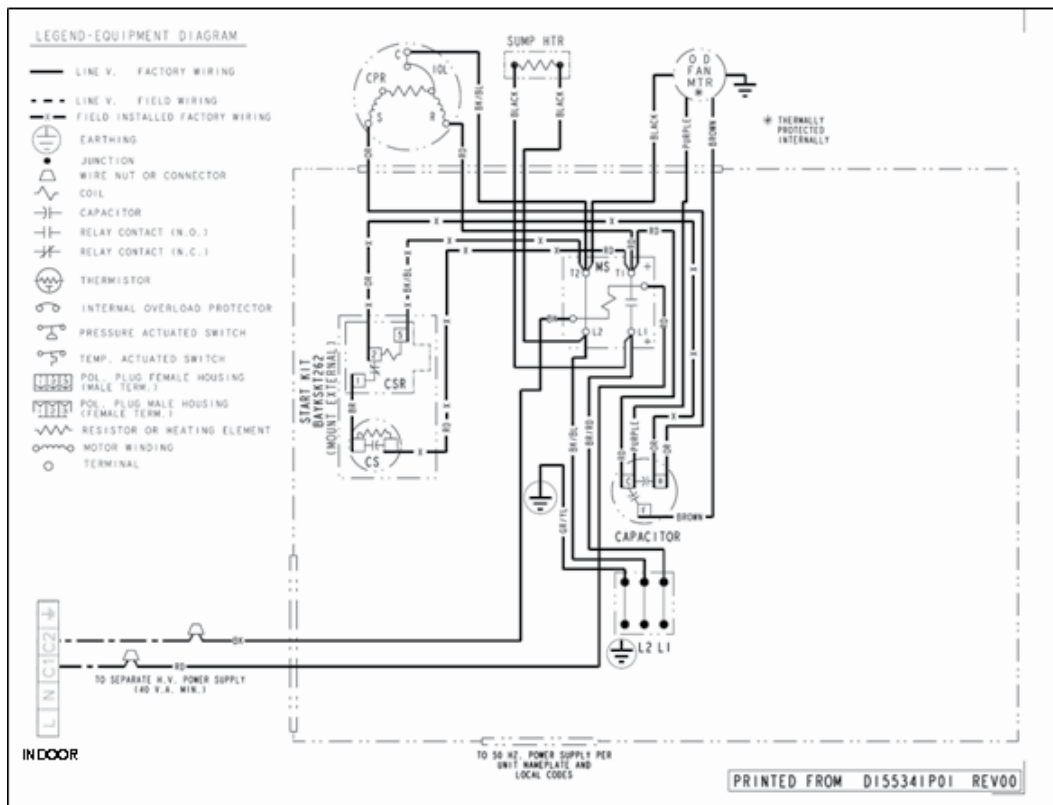


# Wiring Diagram

2TTB0512AA000D

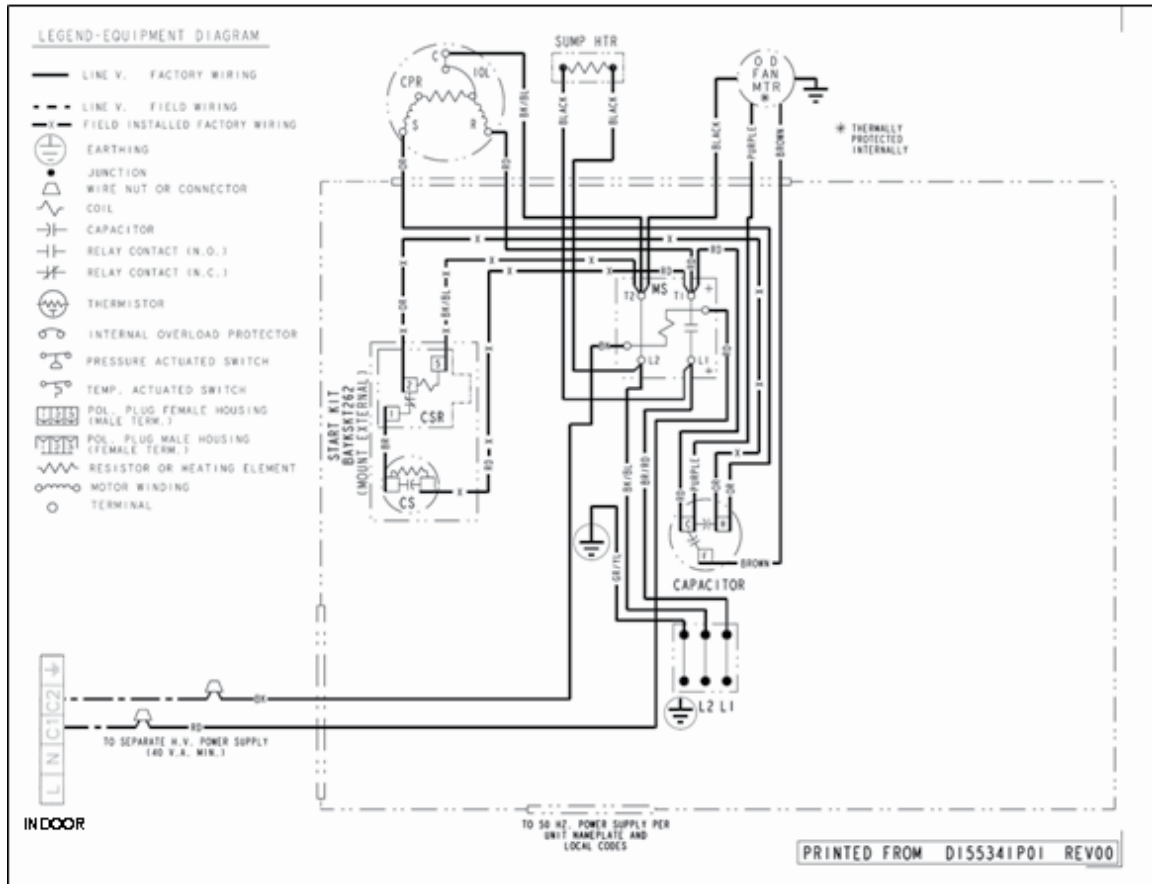


2TTB0518AA000D

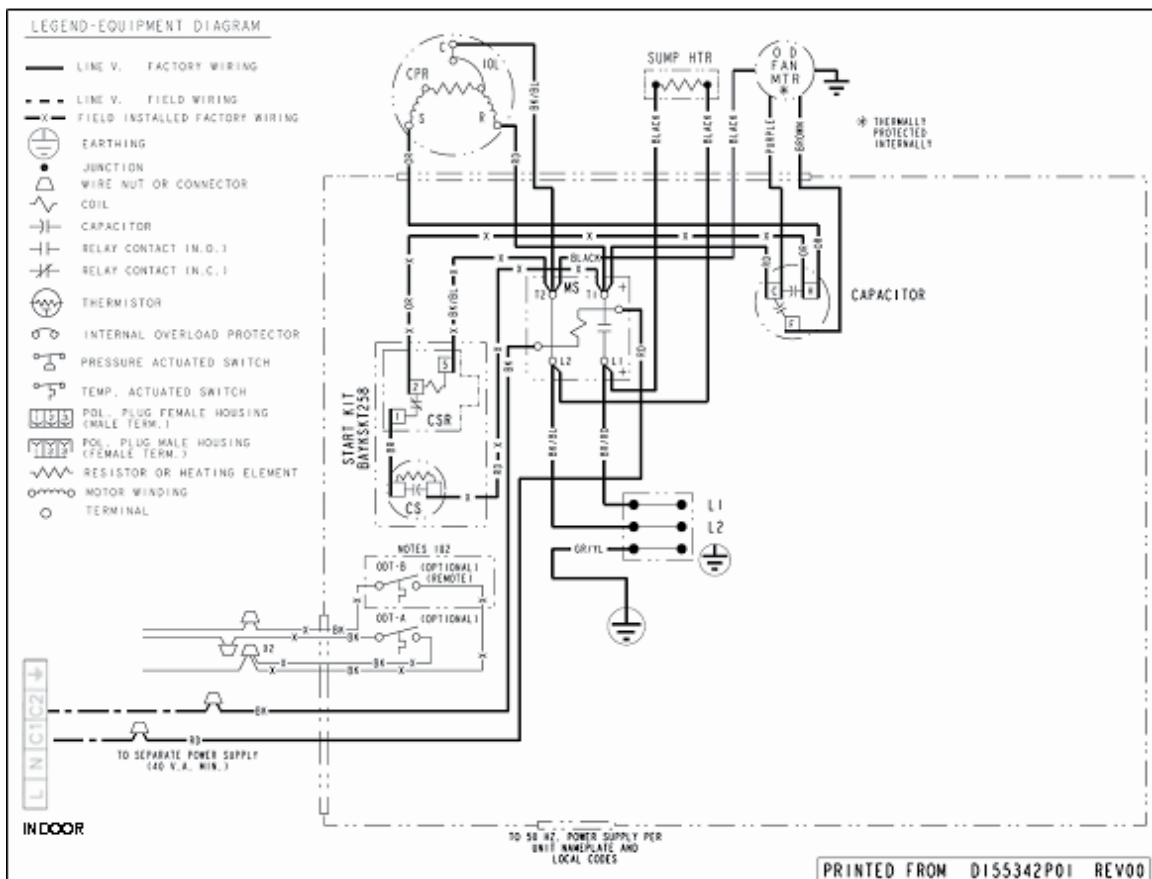


# Wiring Diagram

## 2TTB0518AA000D

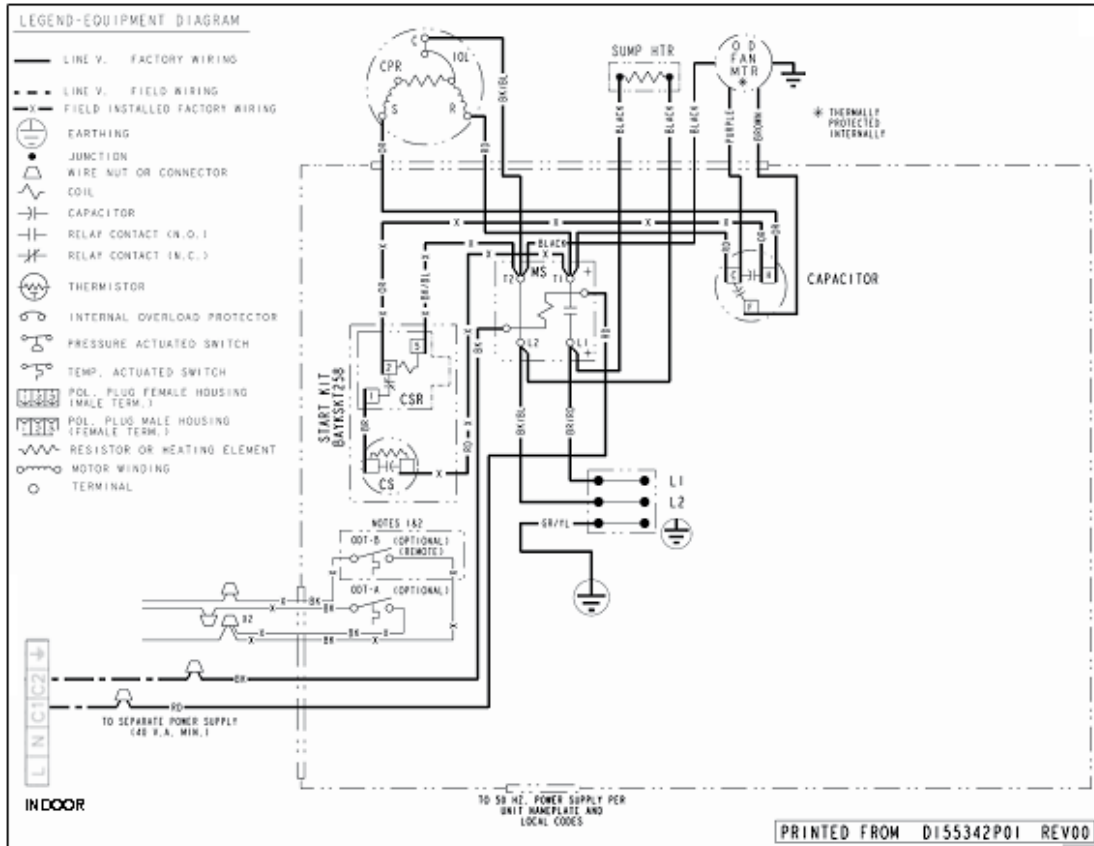


## 2TTB0524AA000C

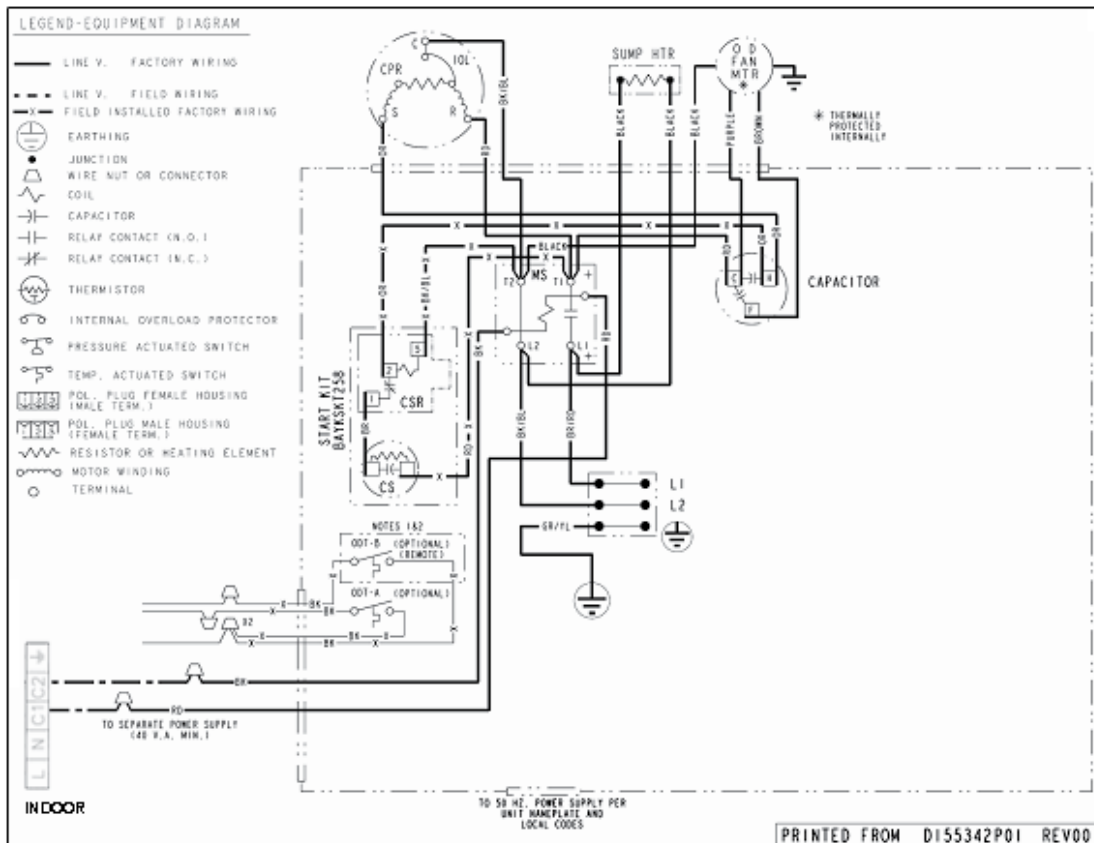




2TTB0530AA00C

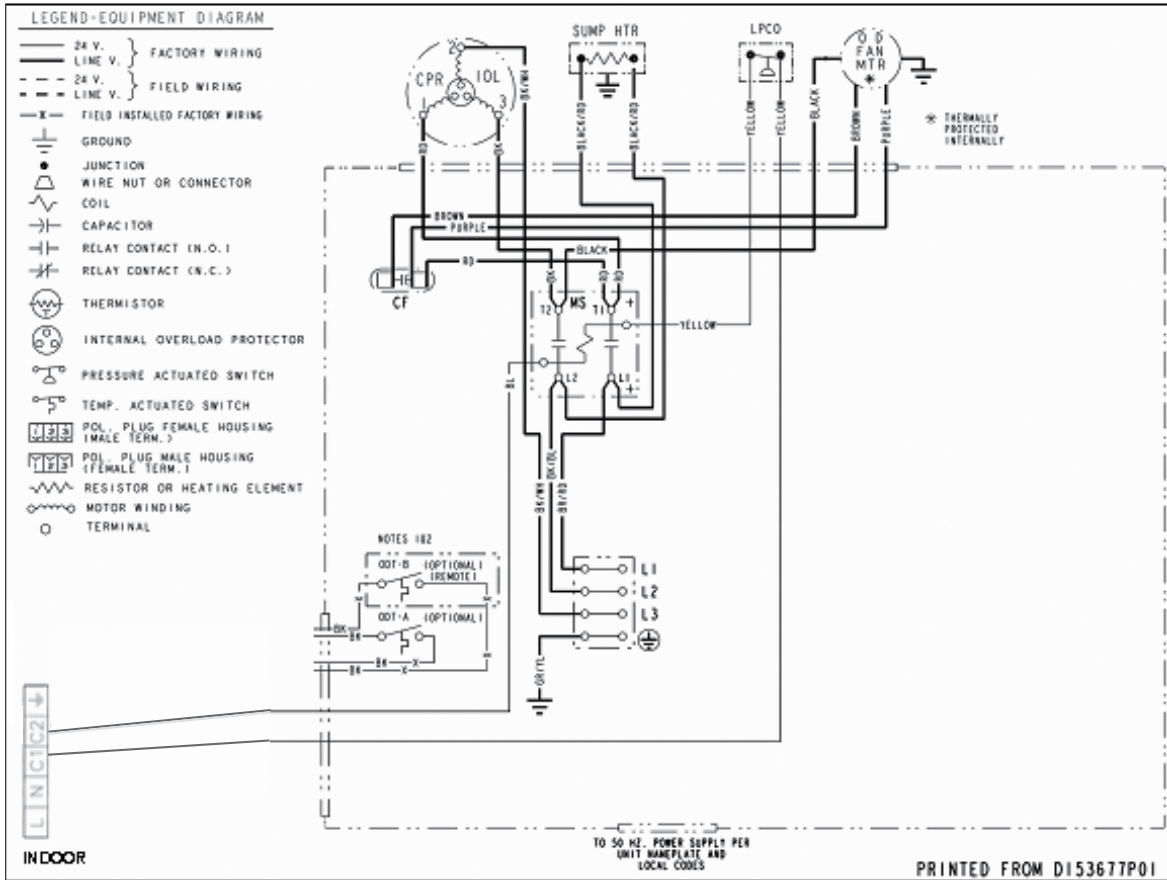


2TTB0536AA00C

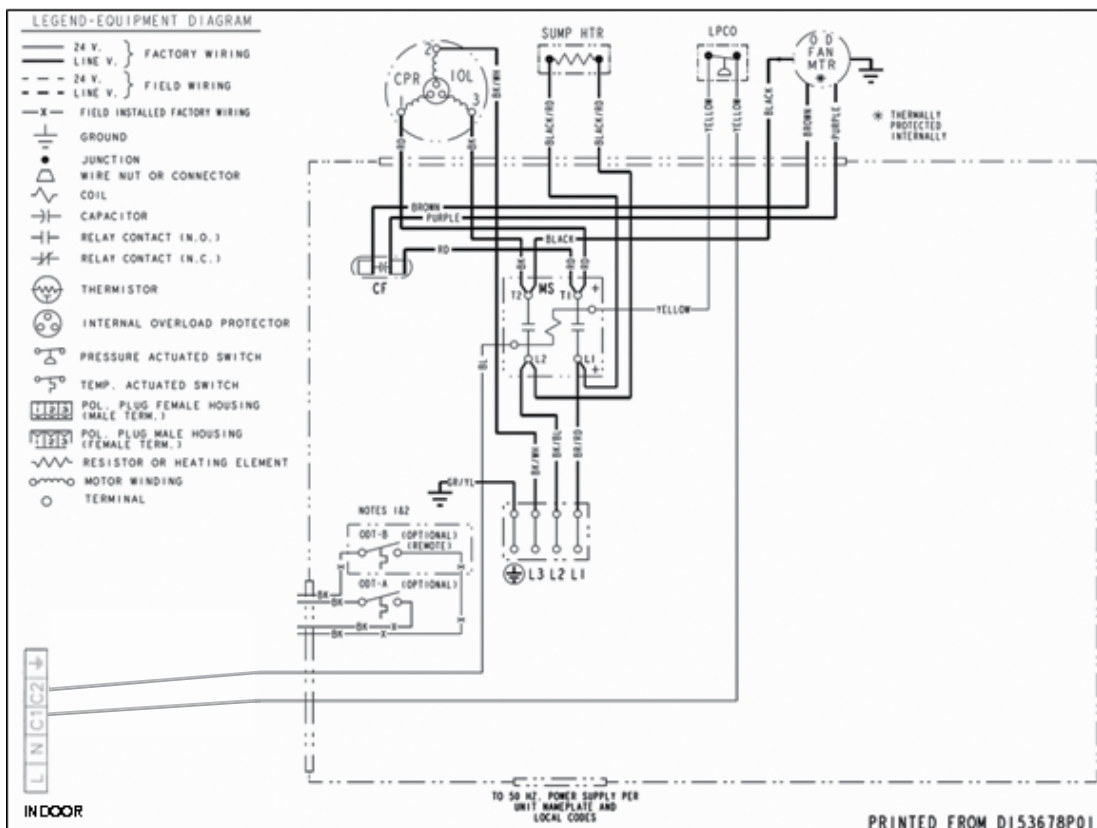


# Wiring Diagram

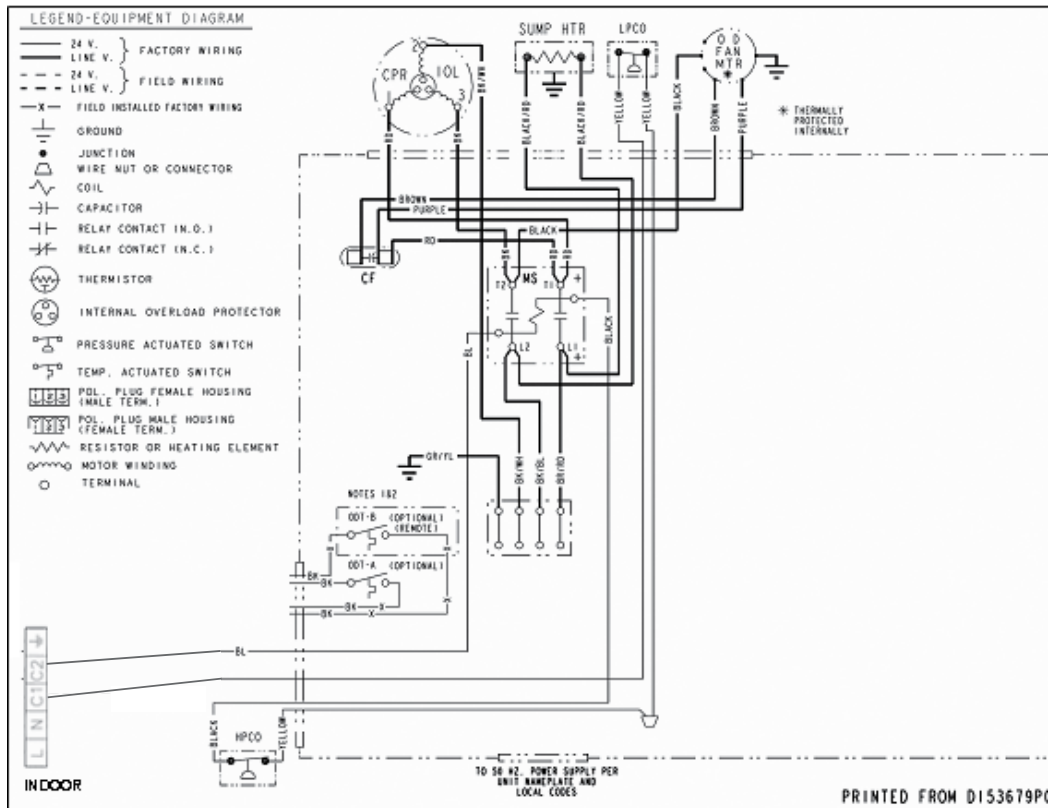
## 2TTA0040AD000B



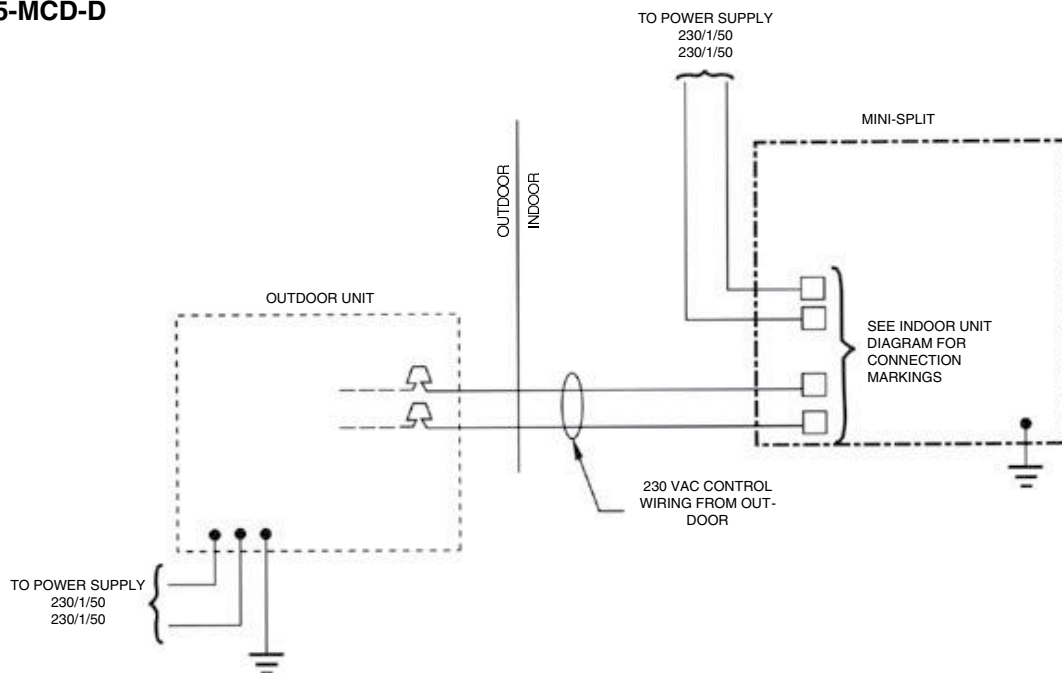
## 2TTA0050AD000B



## 2TTA0060AD00B



## 2TTB05-MCD-D

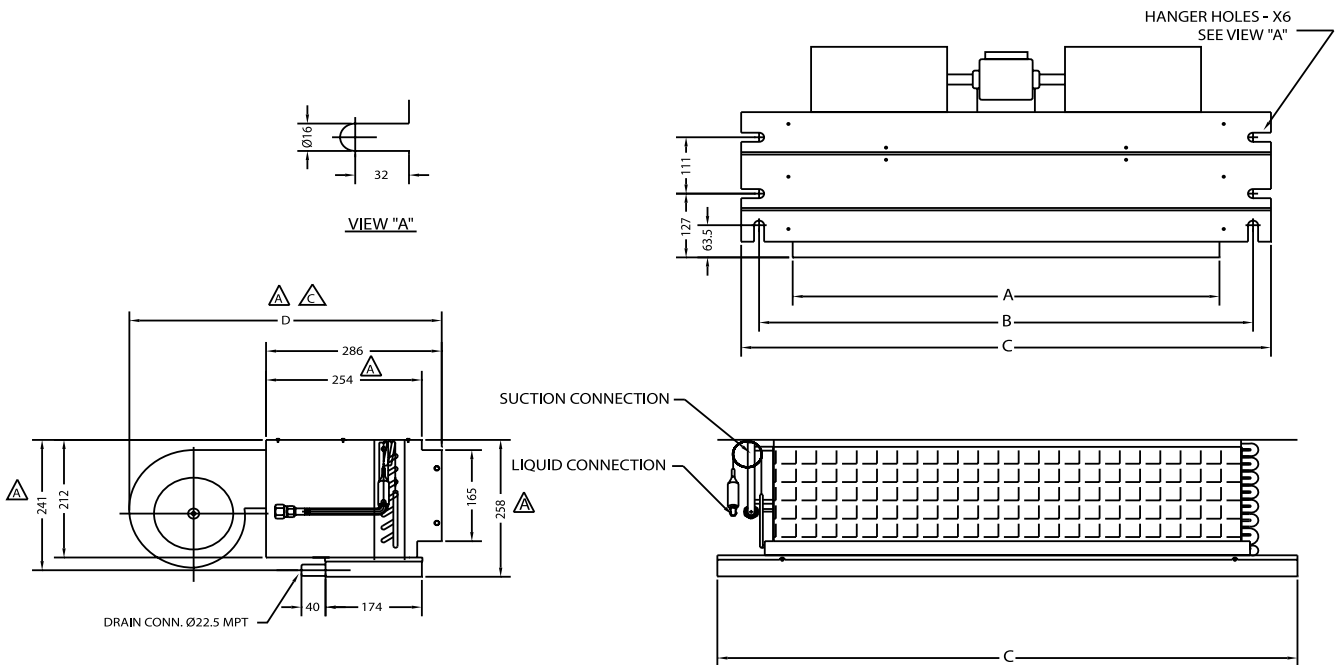


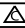
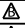



**NOTES :**

1. POWER WIRING AND GROUNDING OF EQUIPMENT MUST COMPLY WITH LOCAL CODES.
2. INSURE THAT POWER SUPPLY AGREES WITH EQUIPMENT NAME PLATE.
3. USE ONLY COPPER CONDUCTORS.

# MCD Dimensional Data

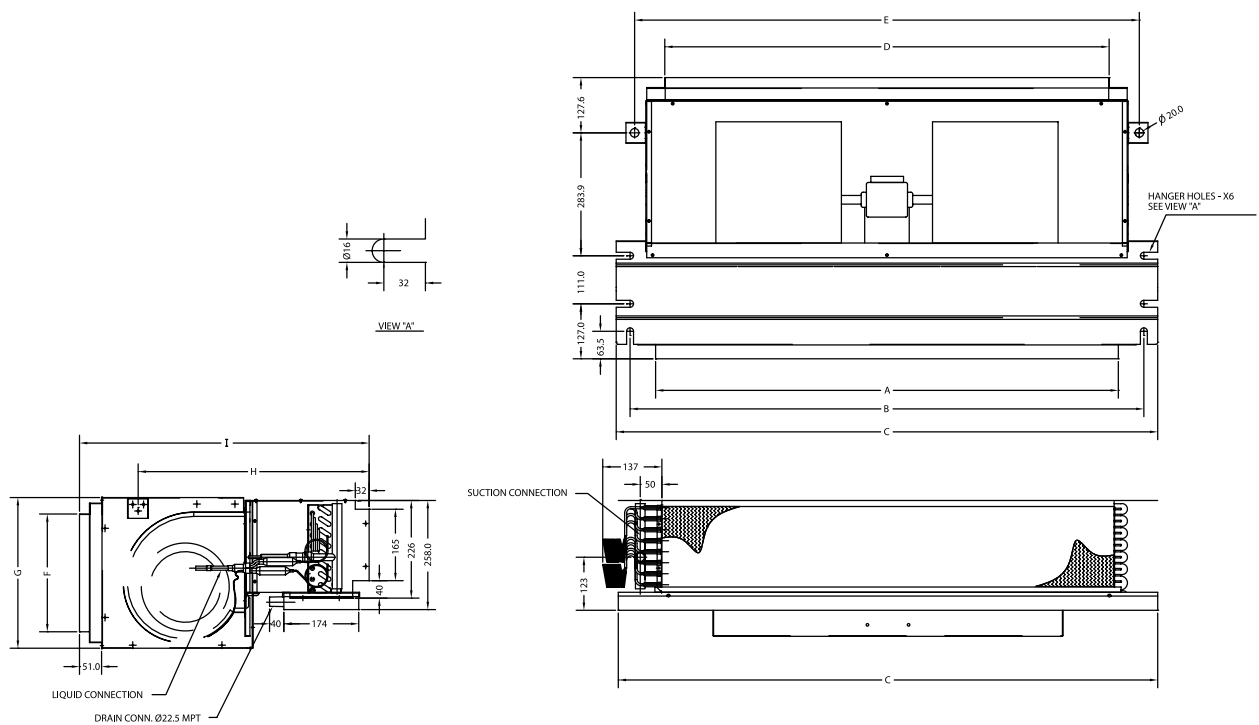
## OUTLINE DIMENSION MCD512-536DB



Model	All External Dimensions are in inch (mm.)				Refrig Line Conn. Size.		Number Of	
	A	B	C	D	Liquid	Suction	Fan(s)	Motor(s)
MCD512DB	30 1/16"(764)	34 3/4"(882)	37 1/4"(946)	19 7/16"(494)	1/4"(6.35)	1/2"(12.7)	2	1
MCD518DB	30 1/16"(764)	34 3/4"(882)	37 1/4"(946)	19 7/16"(494)	1/4"(6.35)	1/2"(12.7)	2	1
MCD524DB	30 1/16"(764)	34 3/4"(882)	37 1/4"(946)	20"(509) 	3/8"(9.52)	5/8"(15.87)	2	1
MCD530DB 	36 1/16"(916)	40 3/4"(1034)	43 1/4"(1098)	20"(509) 	3/8"(9.52)	5/8"(15.87)	2	1
MCD536DB 	42 1/16"(1069)	46 3/4"(1187)	49 1/4"(1251)	20"(509) 	3/8"(9.52)	3/4"(19.05)	2	1

# MCD Dimensional Data

## OUTLINE DIMENSION MCD512-536DB

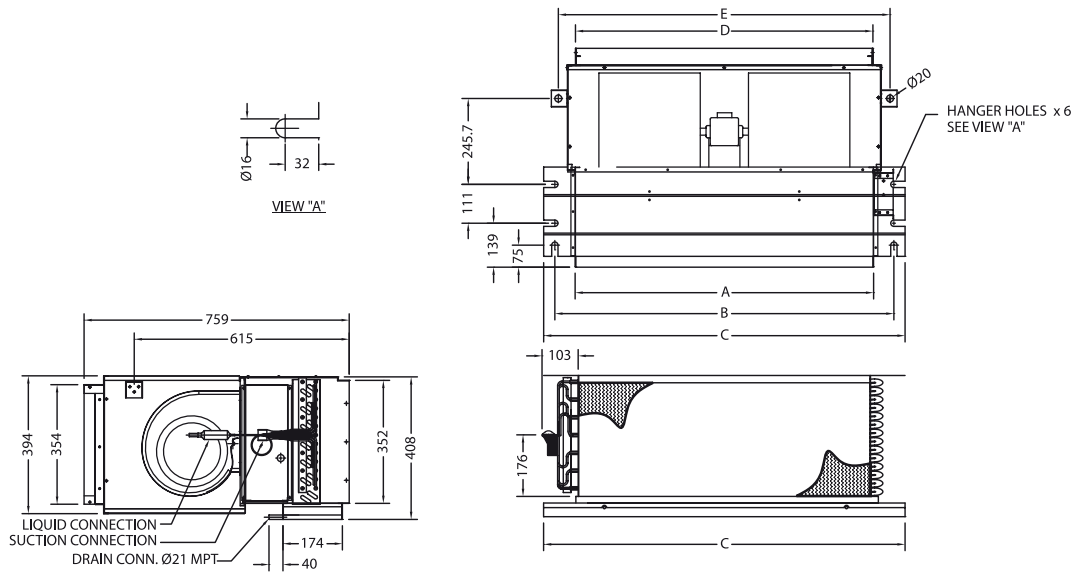


Model	All External Dimensions are in inch (mm.)					
	A	B	C	D	E	F
MCD512DB	30 1/16"(764)	34 3/4"(882)	37 1/4"(946)	30 11/16"(779)	33 3/4"(857)	10 1/2"(266)
MCD518DB	30 1/16"(764)	34 3/4"(882)	37 1/4"(946)	30 11/16"(779)	33 3/4"(857)	10 1/2"(266)
MCD524DB	30 1/16"(764)	34 3/4"(882)	37 1/4"(946)	30 11/16"(779)	33 3/4"(857)	10 1/2"(266)
MCD530DB	36 1/16"(916)	40 3/4"(1034)	43 1/4"(1098)	36 11/16"(931)	39 3/4"(1009)	10 1/2"(266)
MCD536DB	42 1/16"(1069)	46 3/4"(1187)	49 1/4"(1251)	42 11/16"(1084)	45 3/4"(1162)	10 1/2"(266)

Model	All External Dimensions are in inch (mm.)			Refrig Line Conn. Size.		Number Of	
	G	H	I	Liquid	Suction	Fan(s)	Motor(s)
MCD512DB	11 3/4"(300)	19 1/4"(490)	24 5/8"(625)	1/4"(6.35)	1/2"(12.7)	2	1
MCD518DB	11 3/4"(300)	19 1/4"(490)	24 5/8"(625)	1/4"(6.35)	1/2"(12.7)	2	1
MCD524DB	11 3/4"(300)	19 1/4"(490)	24 5/8"(625)	3/8"(9.52)	5/8"(15.87)	2	1
MCD530DB	11 3/4"(300)	19 1/4"(490)	24 5/8"(625)	3/8"(9.52)	5/8"(15.87)	2	1
MCD536DB	11 3/4"(300)	19 1/4"(490)	24 5/8"(625)	3/8"(9.52)	3/4"(19.05)	2	1

# MCD Dimensional Data

## OUTLINE DIMENSION MCD048-60DB

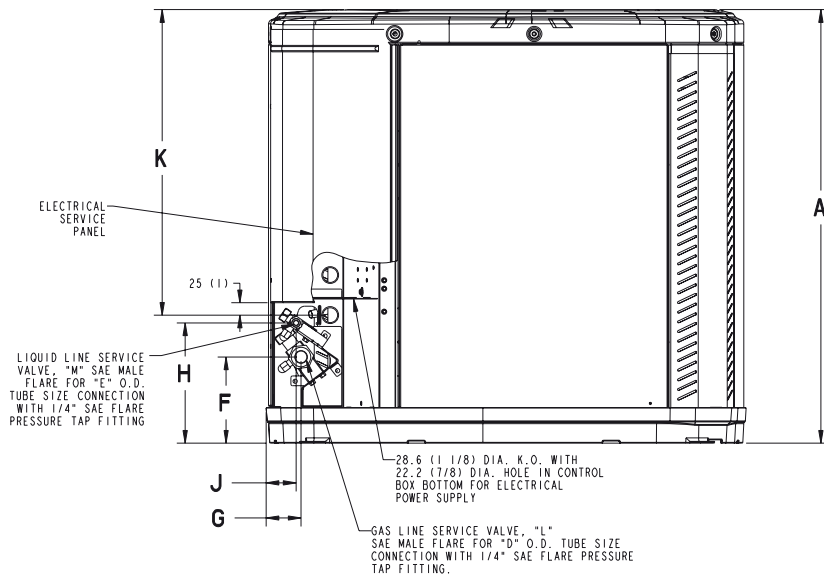
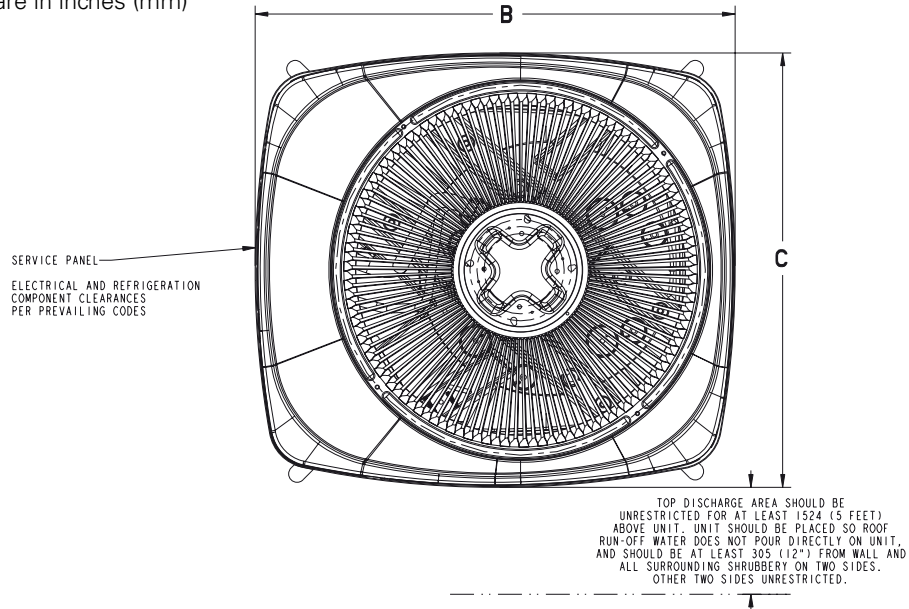


Model	All External Dimensions are in inch (mm)					Refrig. Line Conn. Size		Number Of	
	A	B	C	D	E	Liquid	Suction	Fan (s)	Motor (s)
MCD048DB	36 1/16"(916)	40 3/4"(1034)	43 1/4"(1098)	35 3/4"(907)	39 7/8"(1013)	3/8"(9.53)	1 1/8"(28.6)	2	1
MCD060DB	42 1/16"(1069)	46 3/4"(1187)	49 1/4"(1251)	41 3/4"(1060)	45. 7/8"(1166)	3/8"(9.53)	1 1/8"(28.6)	2	1

# Dimensions

## 2TTB0 Outline Drawing

Note: All dimensions are in inches (mm)

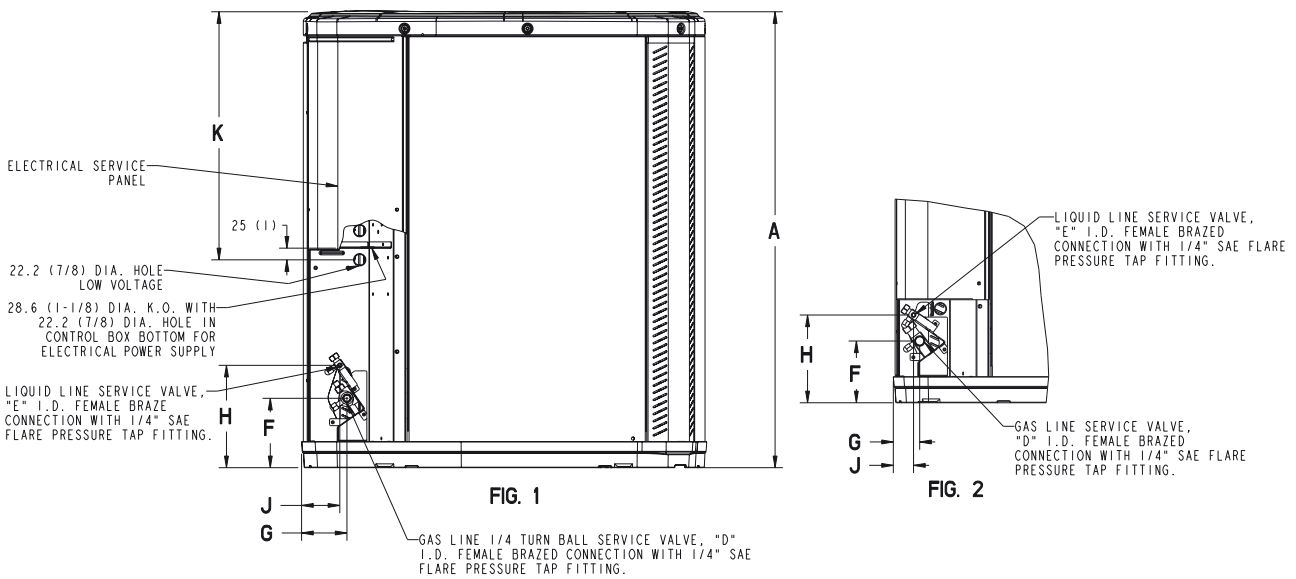
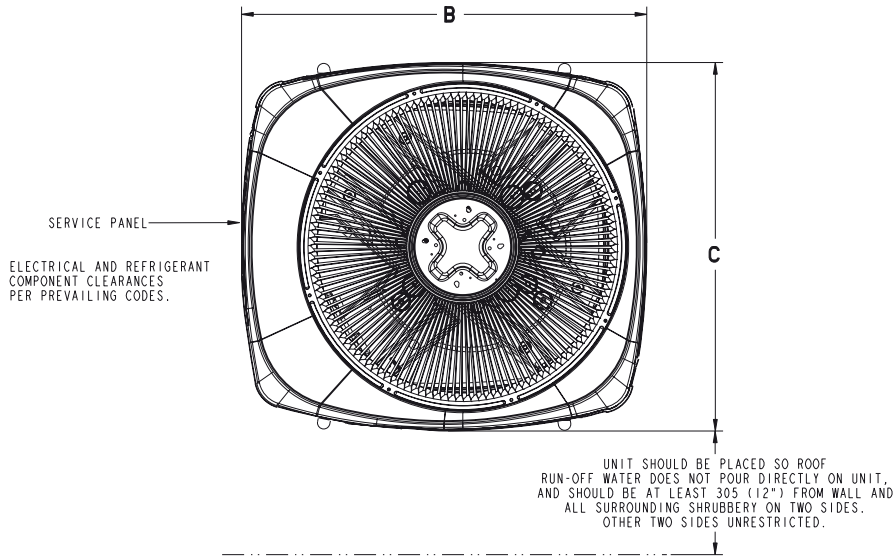


Model	A	B	C	D	E	F	G	H	J	K
2TTB0512AA	648 (25-1/2)	502 (19-3/4)	476 (18-3/4)	5/8	1/4	149 (5-7/8)	19 (3/4)	89 (3-1/2)	16 (5/8)	460 (18-1/8)
2TTB0518AA	648 (25-1/2)	502 (19-3/4)	476 (18-3/4)	5/8	1/4	149 (5-7/8)	19 (3/4)	89 (3-1/2)	16 (5/8)	460 (18-1/8)
2TTB0524AA	561 (25-5/8)	724 (28-1/2)	651 (25-5/8)	3/4	5/16	127 (5)	57 (2-1/4)	181 (7-1/8)	44 (1-3/4)	457 (18)
2TTB0530AA	561 (25-5/8)	724 (28-1/2)	651 (25-5/8)	3/4	5/16	127 (5)	57 (2-1/4)	181 (7-1/8)	44 (1-3/4)	457 (18)
2TTB0536AA	730 (28-3/4)	724 (28-1/2)	651 (25-5/8)	3/4	5/16	137 (5-3/8)	65 (2-8/8)	210 (8-1/4)	57 (2-1/4)	457 (18)

## Dimensions

### 2TTA0 Outline Drawing

Note: All dimensions are in inches (mm)



Model	A	B	C	D	E	F	G	H	J	K
2TTA0040AD	730 (28-3/4)	724 (28-1/2)	651 (25-5/8)	1-1/8	3/8	137 (5-3/8)	65 (2-8/8)	210 (8-1/4)	57 (2-1/4)	457 (18)
2TTA0050AD	832 (32-3/4)	829 (32-5/8)	756 (29-3/4)	1-1/8	3/8	143 (5-5/8)	92 (3-5/8)	210 (8-1/4)	79 (3-1/8)	508 (20)
2TTA0060AD	1045 (41-1/8)	946 (37-1/4)	870 (34-1/4)	1-1/8	3/8	152 (6)	98 (3-7/8)	219 (8-5/8)	86 (3-3/8)	508 (20)



# Mechanical Specification Options

---

## Condensing Units

### General

The unit shall be fully charged from the factory for matched indoor section and up to 15 feet of piping. This unit must be designed to operate at outdoor ambient temperatures as high as 115°F. Cooling capacities shall be matched with a wide selection of air handlers. Exterior must be designed for outdoor application.

### Casing

Unit casing is constructed of heavy gauge, galvanized steel and painted with a weather-resistant powder paint. Corrosion and weatherproof CMBP-G30 Duratuff™ base.(2TTB/2TTA)

### Refrigerant Controls

Refrigeration system controls include condenser fan and compressor contactor. High and low pressure controls are inherent to the compressor. Another standard feature is the liquid line dryer.

### Compressor

The Climatuff® compressor features internal over temperature and pressure protector, total dipped hermetic motor and thermostatically controlled sump heater. Other features include: roto lock suction and discharge refrigeration connections, centrifugal oil pump, and low vibration and noise.

### Condenser Coil

The Spine Fin™ coil shall be continuously wrapped, corrosion resistant all aluminum with minimum brazed joints. This coil is 3/8 inch O.D. seamless aluminum glued to a continuous aluminum fin. Coils are lab tested to withstand 2,000 pounds of pressure per square inch. The outdoor coil provides low airflow resistance and efficient heat transfer. The coil is protected on all four sides by louvered panels.

### Low Ambient Cooling

As manufactured, this unit has a cooling capability to 55°F. The addition of an evaporator defrost control permits operation to 40°F. The addition of an evaporator defrost control with TXV permits low ambient cooling to 30°F.

### Accessories

**Thermostats** — Heating/Cooling (manual and automatic changeover). Sub-base to match thermostat and locking thermostat cover.

**Evaporator Defrost Control** — See Low Ambient Cooling.

**Outdoor Thermostat** — Supplemental heat outdoor ambient lockout from 46 to -10°F.



Trane  
[www.trane.com](http://www.trane.com)

*For more information, contact your local district office*

---

Literature Order Number:	SS-PRC039-EN
Date:	August, 2013
Supersedes:	XXXXXX
Stocking Location:	Dubai, UAE

Trane has a policy of continuous product and product data improvement and reserves the right to change design and specifications without notice.